

Important Safeguards:

When using electrical equipment, basic safety precautions should always be followed including the following:

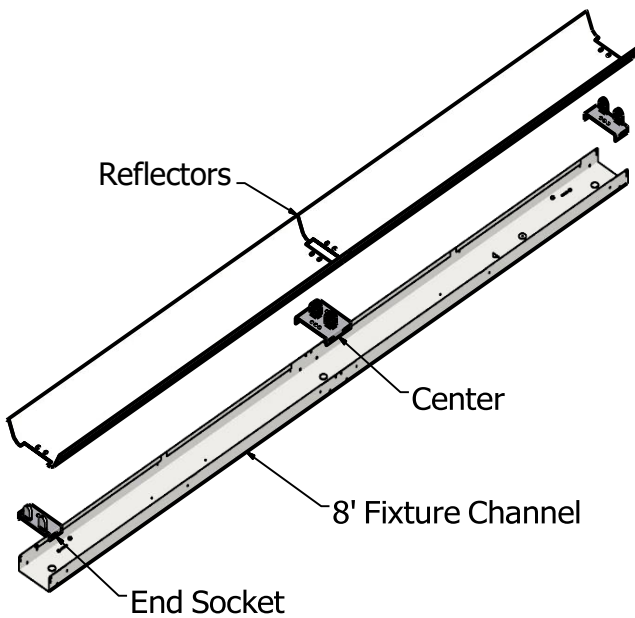
Read and follow all safety instructions

1. **Danger** - Risk of shock - Disconnect power before installation
2. **Product must be installed in accordance with CEC or your local electrical code.** If you are not familiar with these codes and requirements, consult a qualified electrician.

SAVE THESE INSTRUCTIONS FOR FUTURE REFERENCE



Installation Instructions:



Step 1:

Remove the lamps, ballast/reflectors and brackets from the fixture you will be retrofitting.

Step 2:

Install the ballast. (Ideally just off center of the fixture or if necessary to one end of the fixture)

Step 3:

Connect the wires to the sockets and snap the sockets into the brackets.

Step 4:

Mount the brackets with self-tapping screws (Two screws in the end brackets and two screws in the center bracket) be sure to measure for the center of the fixture to make sure that the center bracket is in properly centered. This will ensure proper alignment of the lamps and reflector.

Step 5:

Install the reflectors. If the reflectors have a protective film on them peel back on the ends, screw in the reflectors and remove the rest of the film. Note: if you touch aluminum after it has been peeled you will leave finger prints that are highly visible.

Step 6:

Install the lamps.