

### Important Safeguards:

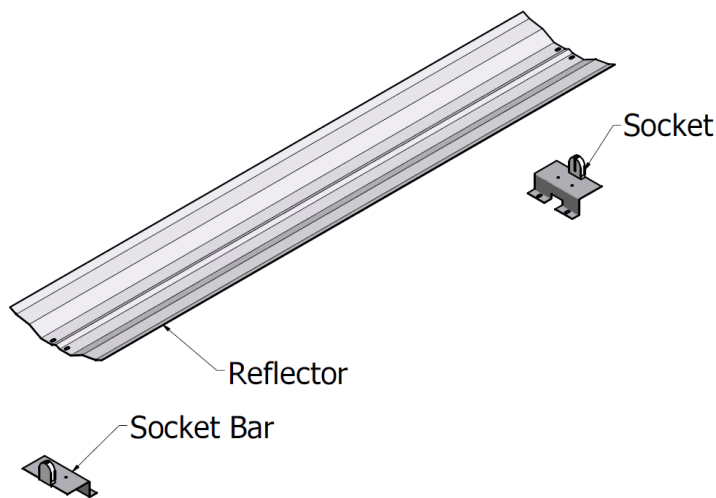
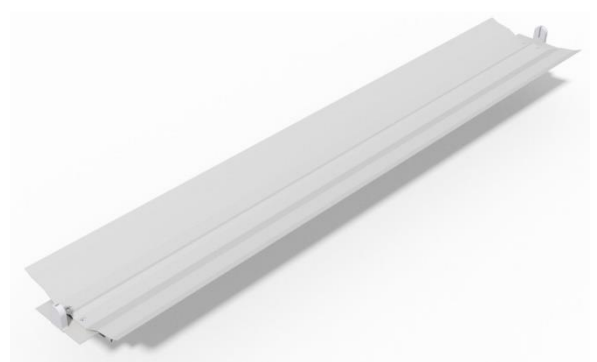
When using electrical equipment, basic safety precautions should always be followed including the following

Read and follow all safety instructions:

1. **Danger** - Risk of shock - Disconnect power before installation
2. **Product must be installed in accordance with CEC or your local electrical code.** If you are not familiar with these codes and requirements, consult a qualified electrician.

SAVE THESE INSTRUCTIONS FOR FUTURE REFERENCE

### Installation Instructions:



#### Step 1:

Remove the lamps, ballast/reflectors and brackets from the fixture you will be retrofitting.

#### Step 2:

Install the ballast. (Ideally in the center of the fixture or if necessary to the side.)

#### Step 3:

Connect the wires to the sockets and snap the sockets into the brackets.

#### Step 4:

Mount the brackets with self-tapping screws. (Two screws per bracket, in the foot of the bracket.) Be sure to measure for the center of the fixture so the brackets will be exactly in the middle. This will ensure proper alignment of the lamps and reflector.

#### Step 5:

Install the reflector. If the reflector has a protective film on it peel back on the ends, screw in the reflector and remove the rest of the film. Note: if you touch aluminum after it has been peeled you will leave finger prints that are highly visible.

#### Step 6:

Install the lamps.