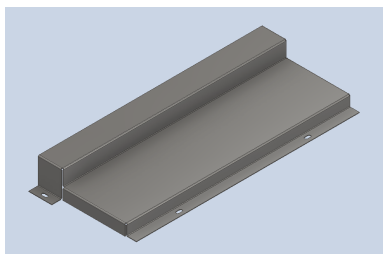
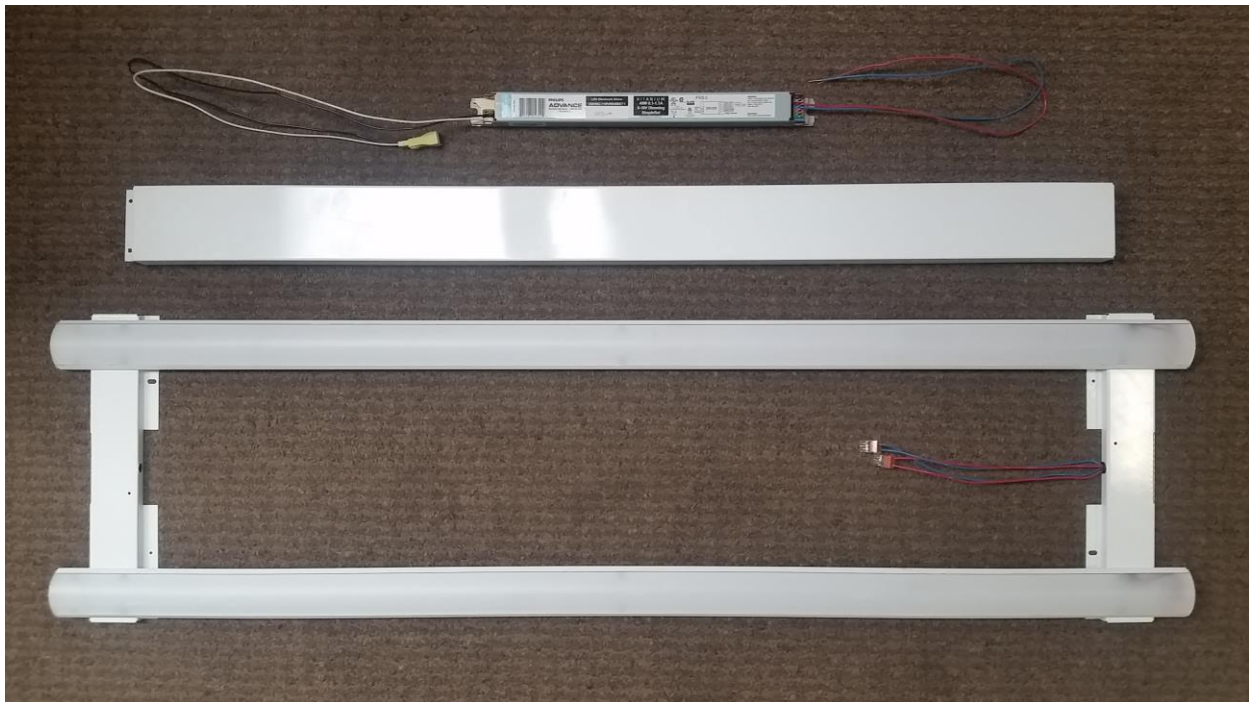


Retrofit Materials:

24 & 22 Included Materials

- A. 1 LED Conversion Assembly
- B. 1 LED Driver with Wires
- C. 1 Driver Channel
- D. 1 Power Entry Cover
- E. 6 Self-Tapping Screws
- F. 2 Screws



Important Safeguards:

When using electrical equipment, basic safety precautions should always be followed including the following:

English – Warnings and Safety Information: Please Read Carefully

- **Warning** – Risk of fire or electric shock. Luminaires wiring, power supply, or other electrical parts may be damaged when drilling for installation of retrofit assembly hardware. Inspect wiring and components for damage.
- **Warning** – Risk of fire or electric shock. Installation of this retrofit assembly requires a person familiar with the construction and operation of the luminaire's electrical system and the hazard involved. If not qualified, do not attempt installation. Contact a qualified person.
- **Warning** – Risk of fire or electric shock. Install this kit only in the luminaires that has the construction features and dimensions shown in the photographs and/or drawings and where the input rating of the retrofit kit does not exceed the input rating of the luminaire.
- Only those open holes indicated in the photographs and/or drawings may be made or altered as a result of kit installation. Do not leave any other open holes in an enclosure of wiring or electrical components.
- **Warning** – To prevent wiring Damage or abrasion, do not expose wiring to edges of sheet metal or other sharp objects.
- This retrofit kit is accepted as a component of a luminaire where the suitability of the combination shall be determined by authorities having jurisdiction. Product must be installed by a qualified electrician in accordance with the applicable and appropriate electrical codes. The installation guide does not supersede local or national regulations for electrical installations.
- This luminaire has been modified and can no longer operate the originally intended lamps

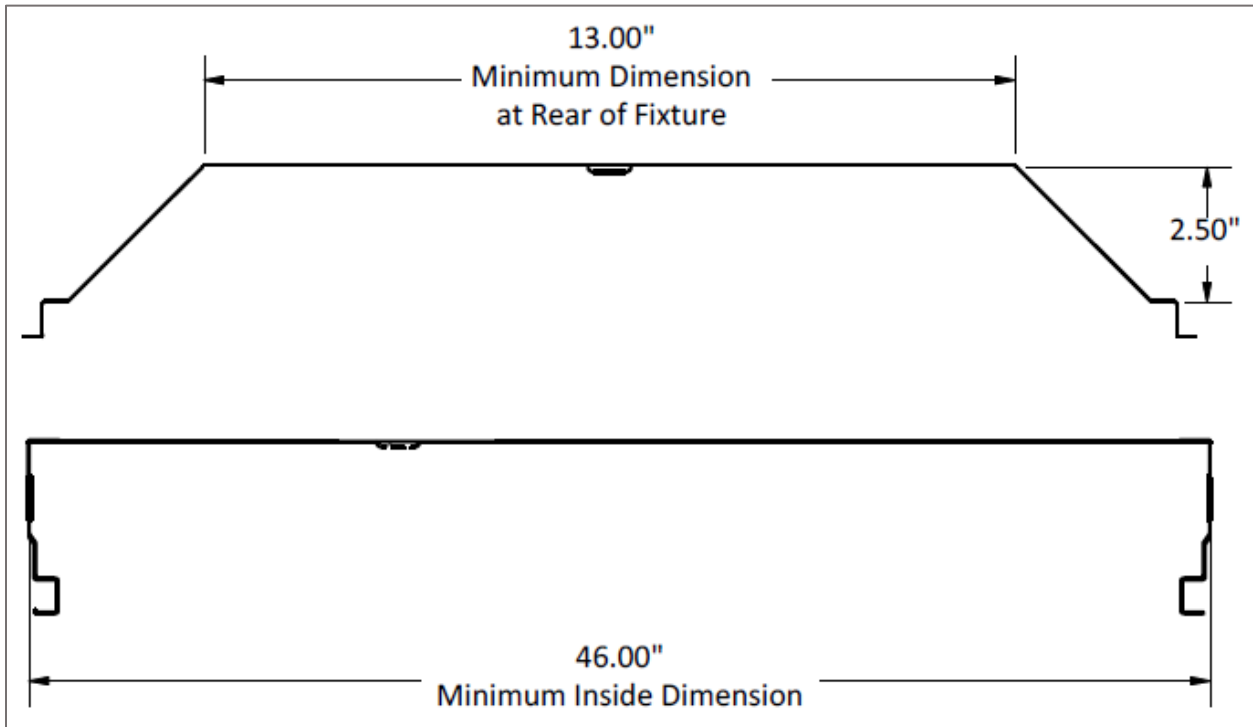
Français – Mises en Garde et Sécurité: Veuillez lire attentivement

- **Avertissement** – Risque d'incendie ou de choc électrique. Le câblage des luminaires, l'alimentation électrique ou tout autre appareil électrique peut être endommagé lors du perçage pour l'installation du matériel d'assemblage de montage. Vérifiez que le câblage et les composants ne sont pas endommagés.
- **Avertissement** – Risque d'incendie ou de choc électrique. L'installation de cet ensemble de rénovation nécessite une personne qui connaisse la construction et le fonctionnement du système électrique du luminaire et le danger qui en découle. Si ce n'est pas le cas, n'essayez pas d'installer. Contactez une personne qualifiée.
- **Avertissement** – Risque d'incendie ou de choc électrique. Installez ce kit uniquement dans les luminaires qui présentent les caractéristiques et les dimensions de construction indiquées sur les photos et / ou les dessins et où la note d'entrée du kit de rénovation ne dépasse pas la valeur d'entrée du luminaire.
- Seuls les trous ouverts indiqués sur les photos et / ou dessins peuvent être modifiés suite à l'installation du kit. Ne laissez aucun autre trou ouvert dans une enceinte de câblage ou de composants électriques
- Ne pas faire ou modifier aucun trou ouvert dans une enceinte de câblage ou de composants électriques pendant l'installation du kit.
- Avertissement - Pour éviter tout dommage ou abrasion, ne pas exposer le câblage aux bords de la tôle ou d'autres objets pointus.
- Ce kit de rénovation est accepté comme composant d'un luminaire où l'adéquation de la combinaison est déterminée par les autorités compétentes. Le produit doit être installé par un électricien qualifié conformément aux codes électriques applicables. Le guide d'installation ne remplace pas les réglementations locales ou nationales pour les installations électriques.
- Ce luminaire a été modifié et ne peut plus fonctionner avec les lampes prévues à l'origine

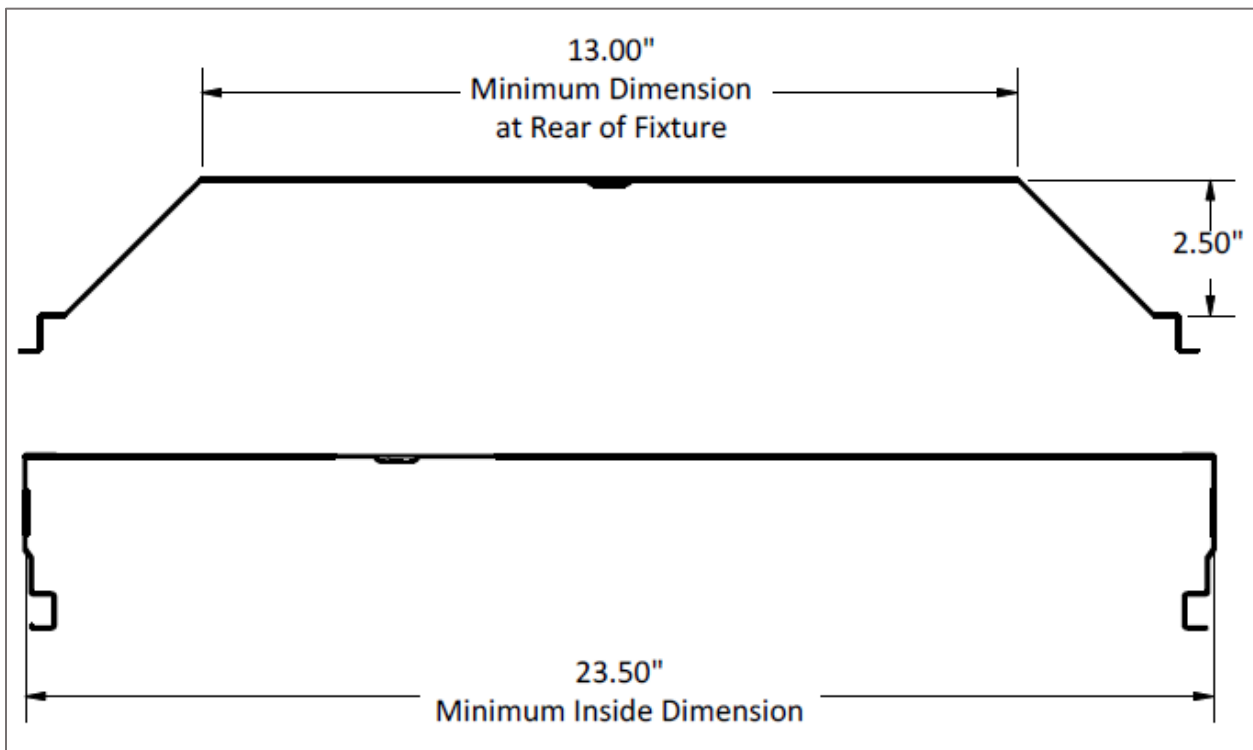


Required Minimum Dimensions:

2x4 Minimum Dimensions



2x2 Minimum Dimensions



Note:

1. Before installing make sure that the kit will fit inside the luminaire you will be retrofitting.
2. The power supply must enter the luminaire from the center, so that once the retrofit kit has been installed the power supply and all electrical connections are enclosed.



Installation Instructions:

Step 1:

To avoid electrical shock, turn off power to luminaire that is being retrofitted.

Step 2:

Open the luminaire and remove the lamps, ballasts, all existing wiring, reflector, brackets and sockets. **(See Figure 1.a. and 1.b.)**

Figure 1.a.

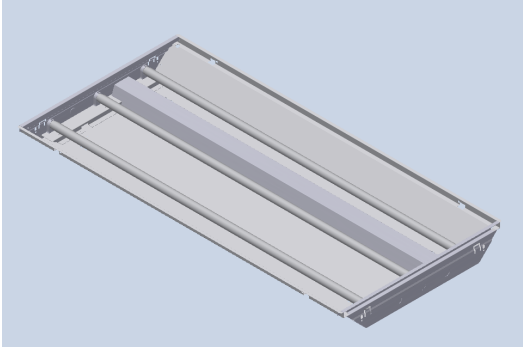
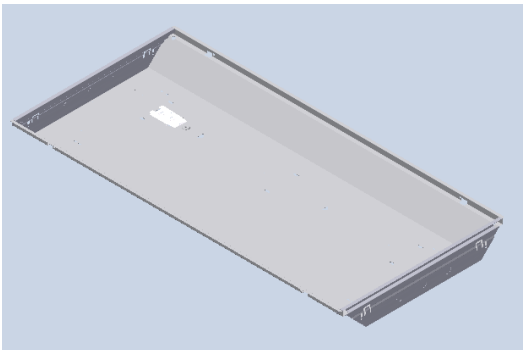


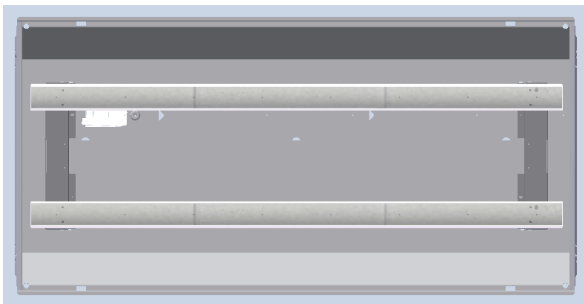
Figure 1.b.



Step 3:

Install the conversion assembly with self tapping screws, (Two screws per bracket.) be sure to measure for the center of the luminaire so the assembly will be exactly in the middle. **(See Figure 2.)**

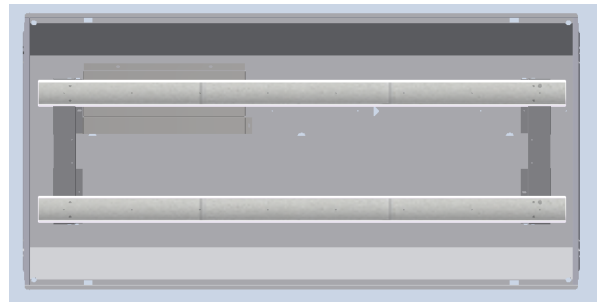
Figure 2.



Step 4:

Install the power entry cover so that it covers up the existing access panel. This can be lined up by sliding the cover under the LED array and temporarily installing the driver cover to make sure it covers the access panel and touches the driver cover once it is installed. **(See Figure 3.)**

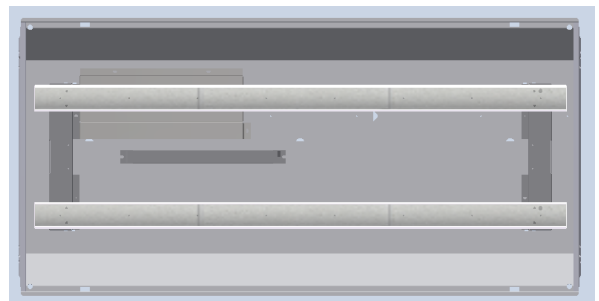
Figure 3.



Step 5:

Install the LED driver in the middle of the fixture, off set to the side where the power enters with self tapping screws and make the needed electrical connections. **(See Figure 4. and Electrical Connections)**

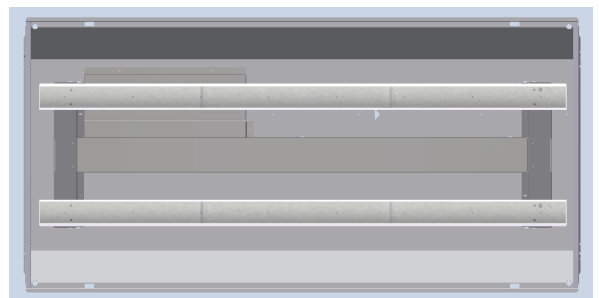
Figure 4.



Step 5:

Bend up the tap that is closest to where the power enters the fixture on the driver channel. Slide one side of the driver channel under the brackets, then screw down the other side of the driver channel to the brackets. Making sure that power lines from the driver to the main lines pass through the bent up tap. **(See Figure 5.)**

Figure 5



Electrical Connections:

Step 6:

Close the luminaire and turn the power on.

Note:

1. Installation is the same for a 2x2-3LP fixture.
2. This kit is to be installed on Type non-IC fixtures only.

Make the following Electrical Connections:

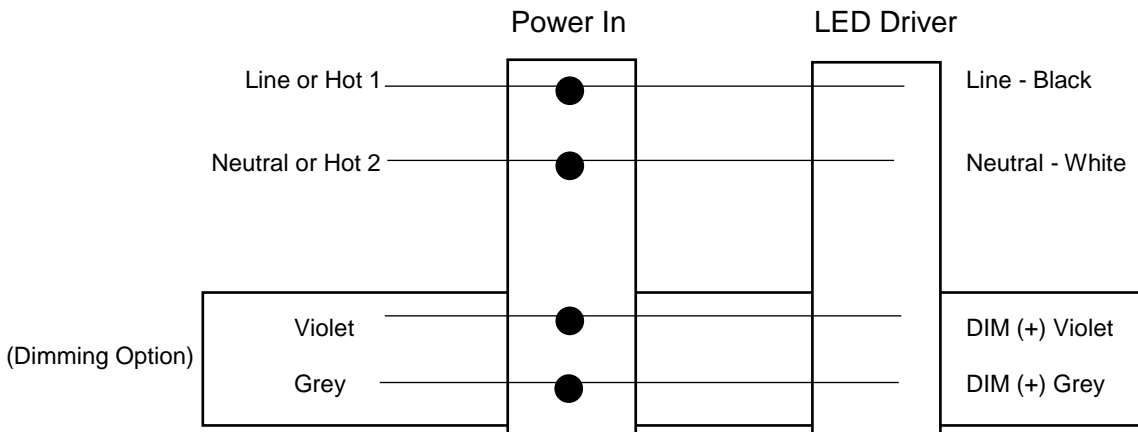
Power in to LED Driver

Make the following Electrical Connections from the power in to the LED Driver using the provided WAGO disconnect.

- a. Connect the line supply lead to the black pole on the WAGO disconnect
- b. Connect the neutral supply lead to the white pole on the WAGO disconnect

Dimming Option Only:

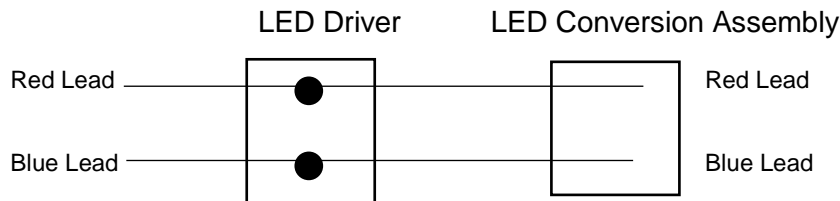
- a. Connect the violet dimming positive lead to the supply dimming positive lead using the provided WAGO two pole connector.
- b. Connect the grey dimming negative lead to the supply dimming negative lead using the provided WAGO two pole connector.



LED Driver to LED Conversion Assembly

Make the following Electrical Connections from the LED Driver to the LED Conversion Assembly using the provided WAGO four pole connector.

- a. Connect the blue lead from the LED Driver to the blue lead on the LED Conversion Assembly
- b. Connect the red lead from the LED Driver to the red lead on the LED Conversion Assembly



Grounding

Reuse the existing grounding terminal, located inside the luminaire.

Electrical Disconnect Instructions:

The above electrical connections for the line 1 and neutral are made using the electrical disconnect that is connected to the LED driver. The connections are made as follows below, note that the disconnect is color coded for circuit wiring.

- a. Black to Live
- b. White to Neutral

The intended wire sizes are as follows, with an 11-13 mm jacking length.

- a. 2 x AWG 18-12 **solid wire** per pole
- b. 2 x AWG 16-12 \leq 19 **stranded wire** per pole

If a wire is connected incorrectly the only way to remove the wire is by twisting the electrical disconnect and pulling firmly on the incorrect wire.

Fit & Function

BJ Take recommends a trial installation prior to ordering project quantities to ensure proper fit.

