



Project

Product Code

Type

Date

Approval



The BLSPT is an extended series of LED linear strip fixture designed for surface and suspended mounting. It is well suited for indoor use where high efficiency, row-mountable task lighting is required. Its true length design makes it an ideal replacement for row mounting applications

Overview

- Narrow strip design allows for a sleek and modern look
- Specially designed extruded lens
- L70 of 99,000 hours+
- L90 of 30,000 hours+
- 0 - 10V dimming standard

Construction

- Manufactured in Ontario, Canada
- Precision bent cold-rolled steel components
- Steel end caps for added rigidity
- Powder coated for a clean look and durable finish
- Access panel provided for easy wiring
- Shallow fixture design for ease of installation and a clean, professional look

Electrical

- ETL certified to UL Canada and United States standards
- Available in 120-277V and 347V

Optics

- High-efficiency diffuser maximizes light distribution while providing diffusion of LED point sources and reducing glare

Mounting

- Holes provided for surface and suspended mounting
- Knock-outs for row-mounting

Options

- 80 CRI standard - 90 CRI, 95+CRI available
- Available in custom lengths
- Lumen packages are available from 1,125L to 23,000L
- Row-mounting available
- Available in 3000K, 3500K, 4000K, 5000K, and 6500K
- Wireless controls

NOTES

↓ ↓ ↓ NOMENCLATURE

Fixture Type	Fixture Size	Lumen Output	CRI	Color Temp	Driver Voltage	Options
BLSPT	-	-	L -	-	-	-
	1'	1.125 1.375	8 - 80 CRI 9 - 90 CRI	30 - 3000 K 35 - 3500 K	UNV - 120-277V 347 - 347V	
	2'	1.75 2.25 2.75		40 - 4000 K 50 - 5000 K 65 - 6500 K		
	4'	2.5 3.5 4.5 5.5 6.5 7.5 8.5 9.5 10.5 11.5				
	8'	5 7 9 11 13 15 17 19 21 23				

Lenses

L18 - Frosted Lens

Cords

W3xx - 16/3 White Cord

W4xx - 16/3 Black Cord

W** - Other Options Available

XX	Cord Length
06	6 Ft
10	10 Ft
15	15 Ft
20	20 Ft

Example: W306 - 6 foot white cord

Mounting

M1 - V-Hangers

M2xx - V-Hangers & Aircraft Cables

M3xx - Y-Toggle Aircraft Cables

M24 - Single Pendant Mount

M** - Other Options Available

XX	Aircraft Length
05	5 Ft
10	10 Ft
15	15 Ft
20	20 Ft

Example: M310 - 10 foot aircraft cables

Wire Guard

G1 - Curved White Wire Guard

Motion Sensor

W26 - Photocell Motion Sensor

W53xxx - On/Off Motion Sensor

W57 - Dimming Motion Sensor (Dims to 50% and stays at 50% output when unoccupied)

WX16 - Microwave Dimmable Sensor

W** - Other Options Available

Controls

B11 - 0-10V Dimming Leads

B12 - Line Voltage Dimming

B17 - 10 Watt Battery Back Up

B** - Other Options Available

WC** - Wireless Controls

Colours

Blank - White Low-Gloss, Matte Finish

C5 - Black Low-Gloss, Matte Finish

C10 - Silver Matte Finish

C** - Other Options Available

Packaging

P0 - Bulk Packaging

P** - Other Options Available

Reflector

R1 - White Steel Reflectors

R21 - Asymmetric White Steel Reflectors

R** - Other Options Available

Row Mounting

M54 - Row Mount Body

W27-XY - Daisy-Chain with Wago Wire Connectors

W22-XY - Molex Row Mounting Wiring

** - Consult BJ Take for more fixture options

xx - Specify Length

1 - Custom cord lengths are available

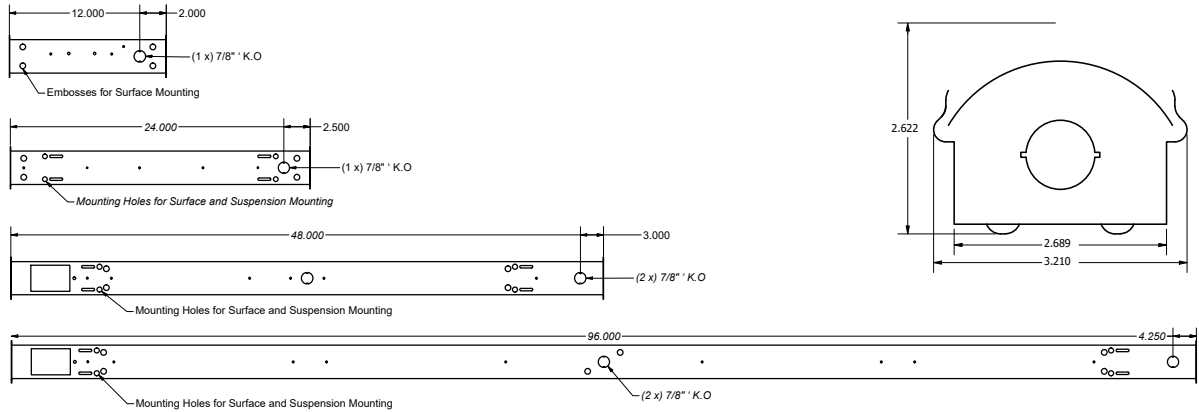
2 - See page 3 for row mounting wiring charts

BLSPT

LED True Length Linear Strip Fixture



DIMENSIONS



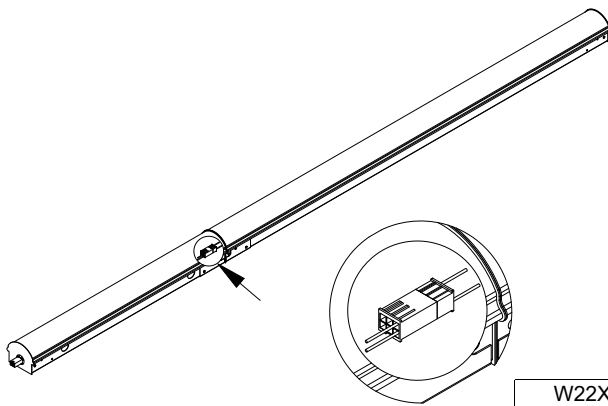
Specifications may change without notice
Standard tolerances apply
Drawings aren't to scale

SPECIFICATIONS

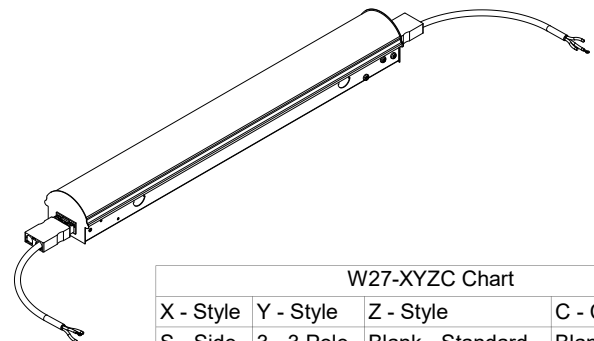
WATTAGE CHART

Size	Lumen Output	Actual Lumen Output	Fixture Wattage	Lumens per Watt	Size	Lumen Output	Actual Lumen Output	Fixture Wattage	Lumens per Watt	Size	Lumen Output	Actual Lumen Output	Fixture Wattage	Lumens per Watt
1'	1.125	1125	8	140.625	4'	2.5	2565	17.2	149.1	8'	5.0	5252	35.3	148.8
	1.375	1375	9.8	140.3061		3.5	3631	24.7	147.0		7.0	7361	50.1	146.9
2'	1.75	1750	12.5	140		4.5	4670	32.2	145.0		9.0	9420	64.9	145.1
	2.25	2250	16.1	139.7516		5.5	5683	39.6	143.5		11.0	11424	79.6	143.5
	2.75	2750	19.6	140.3061		6.5	6669	47.1	141.6		13.0	13375	94.4	141.7
Based on UNV Voltage Based on 4000K Based on 80 CRI						7.5	7628	54.5	140.0		15.0	15273	109.2	139.9
						8.5	8561	62.0	138.1		17.0	17119	124.0	138.1
						9.5	9467	69.5	136.2		19.0	18908	138.7	136.3
						10.5	10347	76.9	134.6		21.0	20642	153.5	134.5
						11.5	11203	84.4	132.7		23.0	22332	168.2	132.8

ROW MOUNT WIRING



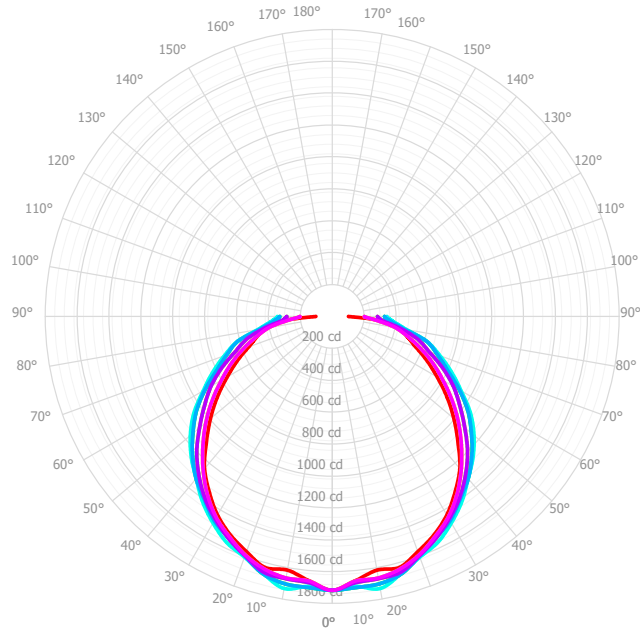
X - Style	Y - Poles
E - End	3 - 3 Pole
	4 - 4 Pole
	5 - 5 Pole
	6 - 6 Pole



X - Style	Y - Style	Z - Style	C - Colour
S - Side	3 - 3 Pole	Blank - Standard	Blank - White
E - End	4 - 4 Pole	E - End of Row	B - Black
T - Top	5 - 5 Pole		G - Grey
	6 - 6 Pole		

PHOTOMETRICS

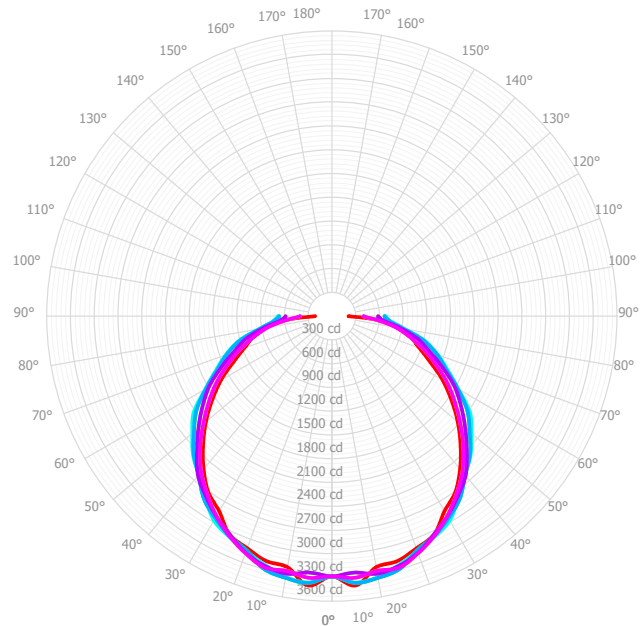
BLSPT-4FT-5.5L-840-L18



0°-180°	—
22.5°-202.5°	—
45°-225°	—
67.5°-247.5°	—
90°-270°	—
112.5°-292.5°	—
135°-315°	—
157.5°-337.5°	—

Mtg Height	Light Level	Beam Diameter
6.0 ft	47.7 fc	17.5 ft
8.0 ft	26.8 fc	23.3 ft
10.0 ft	17.2 fc	29.1 ft
12.0 ft	11.9 fc	34.9 ft
14.0 ft	8.8 fc	40.8 ft
16.0 ft	6.7 fc	46.6 ft

BLSPT-8FT-11L-840-L18



0°-180°	—
22.5°-202.5°	—
45°-225°	—
67.5°-247.5°	—
90°-270°	—
112.5°-292.5°	—
135°-315°	—
157.5°-337.5°	—

Mtg Height	Light Level	Beam Diameter
6.0 ft	91.3 fc	19.2 ft
8.0 ft	51.3 fc	25.6 ft
10.0 ft	32.9 fc	32.0 ft
12.0 ft	22.8 fc	38.4 ft
14.0 ft	16.8 fc	44.8 ft
16.0 ft	12.8 fc	51.2 ft