



¹ BLSP, actual photo

Project	
Nomenclature	
Type	Date
Approval	
Notes	

The BLSP is an LED linear strip fixture designed for surface and suspended mounting. It is well suited for indoor use where high efficiency, row-mountable task lighting is required. Its narrow strip design and modern profile make it an ideal fixture for task lighting applications

LUMINAIRE SUMMARY

Features

- 80 CRI standard - 90 CRI, 95+CRI available
- Available in custom lengths
- Lumen packages are available from 1,125L to 23,000L
- Row-mounting available
- Available in 2700K, 3000K, 3500K, 4000K, 5000K, and 6500K
- Wireless controls options including JDRF, NX, Avi-on and Encelium

Intended Use

- Storage and Warehousing, Offices, Schools, Retail Stores, Distribution Facilities, Processing Plants, Aisle Lighting

Electrical

- ETL certified to UL Canada and United States standards
- Available in 120-277V and 347V

Construction

- Manufactured in Ontario, Canada
- Precision bent cold-rolled steel components
- Steel end caps for added rigidity
- Powder coated for a clean look and durable finish
- Access panel provided for easy wiring

Optics

- Powder-coated body in high-reflectance white.
- Optics available for narrow, and standard distribution.

Mounting

- Holes provided for surface and suspended mounting
- Knock-outs for row-mounting

ORDERING INFORMATION

Fill in the fields below with your product selections. If you need help with this section, contact your local sales professional. An example of a finished product name would be '**BLSP-8'9L-835-UNV-L18-W310**'.

1	2	3	4	5	6	
BLSP						
Series	Length	Lumen Output		CRI	Color Temp	Voltage
BLSP	1' (ft)	1' 1.125L (1126 lm)	4' 10.5L (10430 lm)	8 (80CRI)	27 - 2700K	UNV - 120-277V
	2' (ft)	1' 1.375L (1377 lm)	4' 11.5L (11291 lm)	9 (90CRI)	30 - 3000K	347 - 347V
	4' (ft)	2' 1.75L (1755 lm)	8' 5L (5345 lm)		35 - 3500K	
	8' (ft)	2' 2.25L (2253 lm)	8' 7L (7541 lm)		40 - 4000K	
		2' 2.75L (2753 lm)	8' 9L (9683 lm)		50 - 5000K	
		4' 2.5L (2603 lm)	8' 11L (11772 lm)		65 - 6500K	
		4' 3.5L (3673 lm)	8' 13L (13807 lm)			
		4' 4.5L (4716 lm)	8' 15L (15789 lm)			
		4' 5.5L (5734 lm)	8' 17L (17717 lm)			
		4' 6.5L (6725 lm)	8' 19L (19591 lm)			
		4' 7.5L (7690 lm)	8' 21L (21412 lm)			
		4' 8.5L (8629 lm)	8' 23L (23191 lm)			
		4' 9.5L (9542 lm)				

7

Options

Lenses

L18 | Frosted Lens *standard

Power Cords (W3=White,W4=Black)

- W3xx | 16/3 White Cord
- W4xx | 16/3 Black Cord
- W** | Other Options Available

Motion Sensors

- W26 | Photocell Motion Sensor
- W57 | Dimming Motion Sensor (dims to 50% when unoccupied)
- W53* | On/Off
- W8* | High/Low
- WX16 | Microwave Dimmable Sensor

Wire Guard

- G1 | Heavy Duty White
- G5 | Heavy Duty Black

Dimming

- B11 | Dimming Leads
- B12 | Line Voltage Dimming (select models only)
- B27 | Dim to off Driver

Wireless Controls

- WC22* | JDRF
- WC18* | NX
- WC10* | Encelium
- WC19* | Avi-on

Emergency Driver

- B17 | UL924 10W Battery Back-up
- B24 | UL924 20W Battery Back-up

Finish

- BLANK | Standard White
- C5 | Black
- CUSTOM* | Custom colour choice

Packaging

- Blank | Individually Boxed on Pallets (standard)
- P0 | Bulk Packaging (minimal cardboard)
- P** | Other Options Available

Mounting

- M1 | V-Hangers
- M2xx | V-Hook w/ aircraft cable
- M3xx | Toggle with aircraft cable
- M24 | Single Pendant Mount
- M54 | Row Mount Body
- M** | Other Options Available

Modular Wiring

- W27XYZC | Modular Power Cable* ([view wiring on page 6](#))
- W22XY | Molex Row Mounting Wiring

Warranty

- CL7 | 10-Year Comprehensive Warranty Upgrade

XX	Cord Length	XX	Aircraft Length
06	6 Ft	05	5 Ft
10	10 Ft	10	10 Ft
15	15 Ft	15	15 Ft
20	20 Ft	20	20 Ft

* = More options available, please contact your local sales agent [here](#) or contact sales@bjtake.com for more information.

CERTIFICATIONS AND LISTINGS

All files and resources are available on our website for download. Files and resources are also embedded as links in this document, listed below. Additional files may be available upon request. Please contact your local sales agent [here](#) or contact sales@bjtake.com for more information.

- 2024 Specification Sheet
- BLSP-1FT-1.125L-840-L18.ies
- BLSP-1FT-1.375L-840-L18.ies
- BLSP-2FT-1.75L-840-L18.ies
- BLSP-2FT-2.25L-840-L18.ies
- BLSP-2FT-2.75L-840-L18.ies
- BLSP-4FT-10.5L-840-L18.ies
- BLSP-4FT-11.5L-840-L18.ies
- BLSP-4FT-2.5L-840-L18.ies
- BLSP-4FT-3.5L-840-L18.ies
- BLSP-4FT-4.5L-840-L18.ies
- BLSP-4FT-5.5L-840-L18.ies
- BLSP-4FT-6.5L-840-L18.ies
- BLSP-4FT-7.5L-840-L18.ies
- BLSP-4FT-8.5L-840-L18.ies
- BLSP-4FT-9.5L-840-L18.ies
- BLSP-8FT-11L-840-L18.ies
- BLSP-8FT-13L-840-L18.ies
- BLSP-8FT-15L-840-L18.ies
- BLSP-8FT-17L-840-L18.ies
- BLSP-8FT-19L-840-L18.ies
- BLSP-8FT-21L-840-L18.ies
- BLSP-8FT-23L-840-L18.ies
- BLSP-8FT-5L-840-L18.ies
- BLSP-8FT-7L-840-L18.ies
- BLSP-8FT-9L-840-L18.ies

CERTIFICATIONS AND LISTINGS

Certifications that apply to this fixture and its possible configurations are listed here. More information available upon request.

Icon	Description
	Wireless Ready
	DLC Listed
	ETL Listed
	90CRI+ Available

USAGE APPLICATIONS

This fixture can be used in a variety of applications, and is ideal for the following:

Storage And Warehousing
Offices
Schools
Retail Stores
Distribution Facilities
Processing Plants
Aisle Lighting

Continued on next page

4FT WATTAGE

Size	Lumen Output	Actual Lumen Output	Fixture Wattage	Lumens per Watt
4'	2.5	2603	17.9	145.2
4'	3.5	3673	25.6	143.5
4'	4.5	4716	33.3	141.8
4'	5.5	5734	40.9	140.1
4'	6.5	6725	48.6	138.4
4'	7.5	7690	56.3	136.7
4'	8.5	8629	63.9	135.0
4'	9.5	9542	71.6	133.3
4'	10.5	10430	79.3	131.6
4'	11.5	11291	86.9	129.9

Lumens per watt and wattage based on 25°C @ 4000K/80CRI

8FT WATTAGE

Size	Lumen Output	Actual Lumen Output	Fixture Wattage	Lumens per Watt
8'	5	5345	35.7	149.6
8'	7	7541	51.0	147.9
8'	9	9683	66.3	146.1
8'	11	11772	81.5	144.4
8'	13	13807	96.8	142.6
8'	15	15789	112.1	140.9
8'	17	17717	127.4	139.1
8'	19	19591	142.6	137.4
8'	21	21412	157.9	135.6
8'	23	23191	173.3	133.9

Lumens per watt and wattage based on 25°C @ 4000K/80CRI

1FT WATTAGE

Size	Lumen Output	Actual Lumen Output	Fixture Wattage	Lumens per Watt
1'	1.125	1126	7.3	153.6
1'	1.375	1377	9.2	148.9
2'	1.75	1755	11.1	158.3
2'	2.25	2253	14.7	153.6
2'	2.75	2753	18.5	148.5

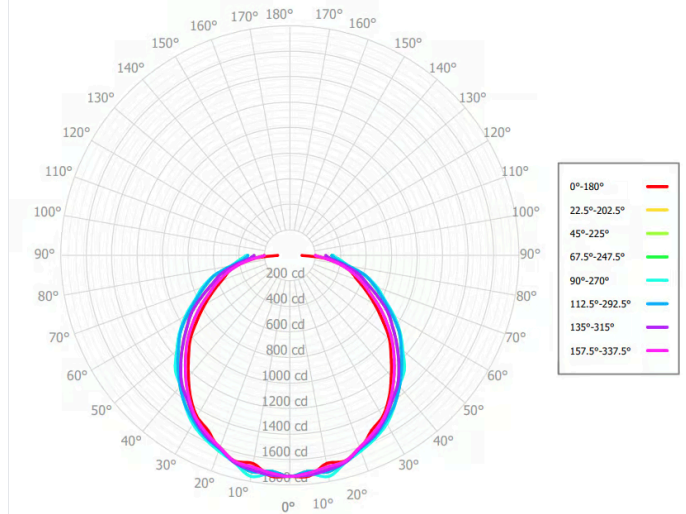
Lumens per watt and wattage based on 25°C @ 4000K/80CRI

Continued on next page

BLSP-4'-5.5L-840-L18

4FT CONE OF LIGHT

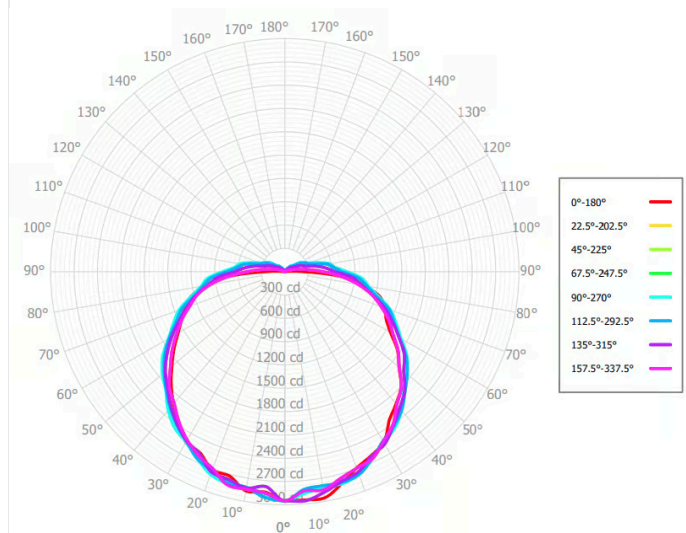
Mtg Height	Light Level	Beam Diameter
6.0	48.1	17.4
8.0	27.1	23.2
10.0	17.3	29.0
12.0	12.0	34.8
14.0	8.8	40.6
16.0	6.8	46.4



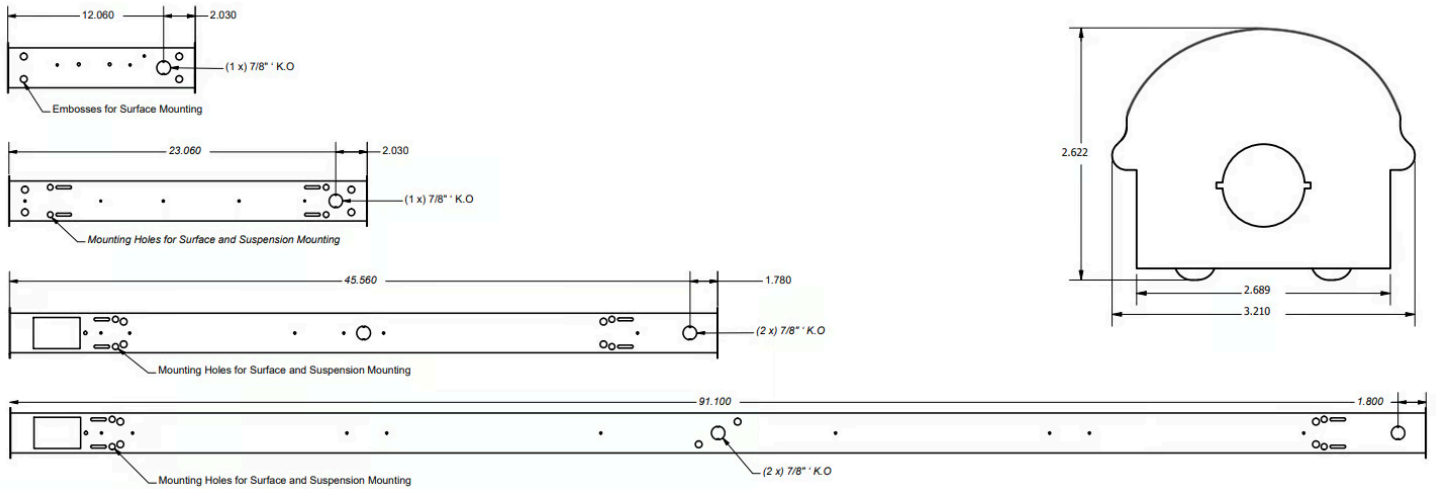
BLSP-8'-11L-840-L18

8FT CONE OF LIGHT

Mtg Height	Light Level	Beam Diameter
6.0	81.9	24.2
8.0	46.1	32.2
10.0	29.5	40.3
12.0	20.5	48.4
14.0	15.0	56.4
16.0	11.5	64.5

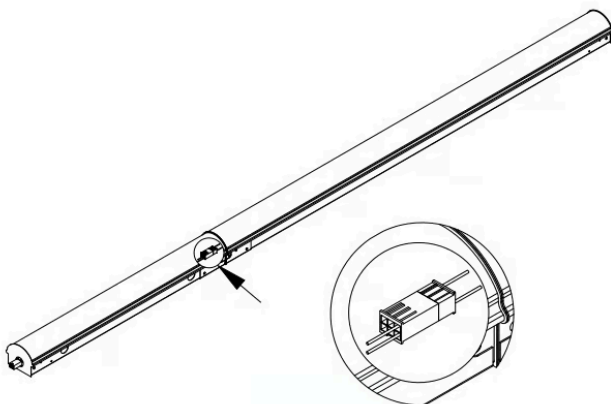


DIMENSIONS

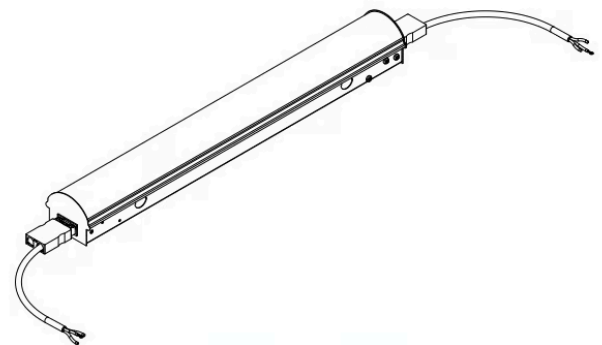


Specifications may change without notice
Standard tolerances apply
Drawings aren't to scale

W22XY/W27XYZC WIRING DIAGRAMS



W22XY Chart	
X - Style	Y - Poles
E - End	3 - 3 Pole
	4 - 4 Pole
	5 - 5 Pole
	6 - 6 Pole



W27-XYZC Chart			
X - Style	Y - Style	Z - Style	C - Colour
S - Side	3 - 3 Pole	Blank - Standard	Blank - White
E - End	4 - 4 Pole	E - End of Row	B - Black
T - Top	5 - 5 Pole		G - Grey
	6 - 6 Pole		