

# BLMB

Suspended Decorative Retail



Project	
Nomenclature	
Type	Date
Approval	
Notes	

The BLMB is an architectural LED fixture that is ideal for indoor use, where energy efficiency, performance and ease of maintenance is essential. Its modern design and multi-faceted reflector makes it ideally suited for general area illumination

## Luminaire Summary

### Features

- Operating temperature ranges available from -20C to 40C
- L70 of 110,000+ hours, L90 of 34,000+ hours
- Standard 0 - 10V dimming
- Available in 2700K, 3000K, 3500K, 4000K, 5000K and 6500K
- Lumen packages are available ranging from 4' 2L (2000lm) to 8' 2L (22000lm)

### Approvals

- ETL certified to UL Canada and United States standards
- Made with UL Listed components
- DLC Listed\* (select models only)
- DLC Premium\* (select models only)

### Mounting

- Holes provided for V-hangers, S-hook chain-mounting, or aircraft cables
- Optional pendant mount and surface mount brackets

### Construction

- Manufactured in Ontario, Canada
- Cold-rolled steel parts are precision bent for added strength and rigidity
- Access panel provided for easy wiring
- Powder-coated finish in high-reflectance gloss white

### Electrical

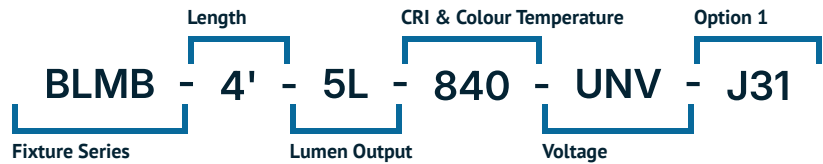
- Available in 120-277V, 120-347V, 347V and 480V

### Options

- Motion sensors available
- Wireless Controls Available
- 90 and 95+ CRI Options Available
- 120-347V(UN3) Available

### Ordering Information

Fill in the fields below with your product selections. If you need help with this section, [contact your local sales professional](#).



1	2	3	4	5
BLMB				

Series	Lumen Output		CRI	Colour Temp	Voltage		
BLMB	4' 2L	2000lm	4' 11L	11000lm	8 - 80 CRI	27 - 2700K	UNV - 120-277V
	4' 3L	3000lm	4' 12L	12000lm	9 - 90 CRI	30 - 3000K	UN3 - 120-347V
	4' 4L	4000lm	8' 10L	10000lm	1 - 95+ CRI	35 - 3500K	347 - 347V
	4' 5L	5000lm	8' 12L	12000lm		40 - 4000K	480 - 480V
	4' 6L	6000lm	8' 14L	14000lm		50 - 5000K	
	4' 7L	7000lm	8' 16L	16000lm		65 - 6500K	
	4' 8L	8000lm	8' 18L	18000lm			
	4' 9L	9000lm	8' 22L	22000lm			
	4' 10L	10000lm					

6				
---	--	--	--	--

### Options

#### Lenses

L0	No Lens
L18	Frosted Acrylic

#### Cords

W3xx	White 16/3 (Specify Length)
W4xx	Black 16/3 (Specify Length)
W59xx	White 18/5 (Specify Length)
W***	Other Options Available*

Key.	Cord Length.	Key	Cord Length
6	6FT	15	15FT
10	10FT	20	20FT

Ex. W406 would be 16/3 Black, 6FT

#### Dimming

B11	0-10V Dimming Leads
B12	Line Voltage Dimming
B27	Dim-to-off Driver

#### Controls

WC10*	Encelium Wireless Controls
WC18*	NX Wireless Controls
WC19*	Avi-on Wireless Controls
WC22*	JDRF Wireless Controls

#### Motion Sensors

W26	Photocell Motion Sensor
W57	Dimming Motion Sensor (dims to 50% when unoccupied)
W53*	On/Off
W8*	High/Low
WX16	Microwave Dimmable Sensor
W**	Other Options Available*

#### Baffles

J31	White Louver
J47	Black Louver

#### Baffle and Lens

LJ1	White Baffle and Frosted Acrylic Lens
-----	---------------------------------------

#### Emergency Driver

B17	UL924 10W Battery Back-up
B24	UL924 20W Battery Back-up
F8	UL924 Emergency Relay

#### Packaging

BLANK	Individually Boxed on Pallets
P0	Bulk Packaging
P**	Other Options Available*

#### Mounting

M1	V-Hangers
M2xx	V-Hanger with Aircraft Loop Cables
M3xx	Y-Toggle Aircraft Cables
M24	Single Pendant Mount(3/4 Hub)
M25	Surface Mount
M**	Other Options Available*

Key.	Aircraft Length.	Key	Aircraft Length
5	5FT	15	15FT
10	10FT	20	20FT

Ex. M305 would be Y-Toggle, 5FT

#### Warranty

CL7	10-Year Comprehensive Warranty Upgrade
-----	--

### Documentation and Resources

All files and resources are available on our website for download. Files and resources are also embedded as links in this document, listed below. Additional files may be available upon request. Please contact your local sales agent [here](#) or contact sales@bjtake.com for more information.

- BLMB - Installation Instructions
- BLMB Interconnect Instructions
- BLMB-4FT-2L-840-J31
- BLMB-4FT-3L-840-J31
- BLMB-4FT-4L-840-J31
- BLMB-4FT-5L-840-J31
- BLMB-4FT-6L-840-J31
- BLMB-4FT-7L-840-J31
- BLMB-4FT-8L-840-J31
- BLMB-4FT-9L-840-J31
- BLMB-4FT-10L-840-J31
- BLMB-4FT-11L-840-J31
- BLMB-8FT-10L-840-J31
- BLMB-8FT-12L-840-J31
- BLMB-8FT-14L-840-J31
- BLMB-8FT-16L-840-J31
- BLMB-8FT-18L-840-J31
- BLMB-8FT-20L-840-J31
- BLMB-8FT-22L-840-J31

### Certifications and Listings

Certifications that apply to this fixture and its possible configurations are listed here. More information available upon request.

Icon	Description
	DLC Listed* (select models only)
	DLC Premium* (select models only)
	Wireless Controls Available
	ETL Listed
	90 and 95+ CRI Options Available
	120-347V(UN3) Available

### Usage Applications

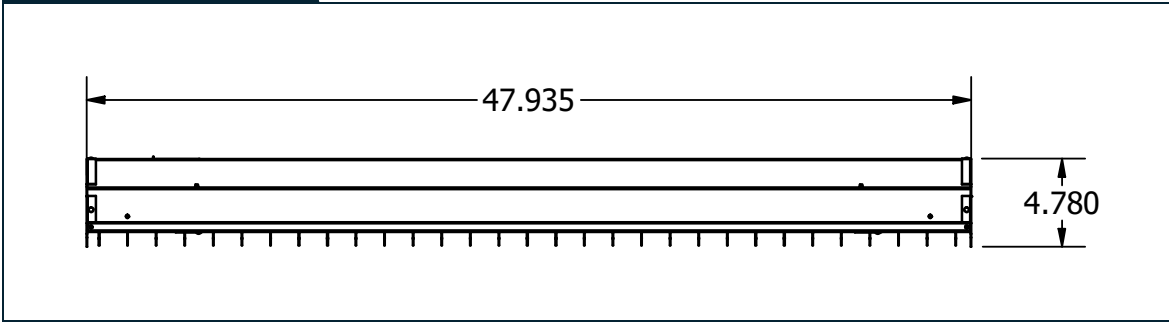
This fixture can be used in a variety of applications, and is ideal for the following:

Usage Application
Offices
Schools
Retail Stores
Distribution Facilities
Processing Plants
Aisle Lighting

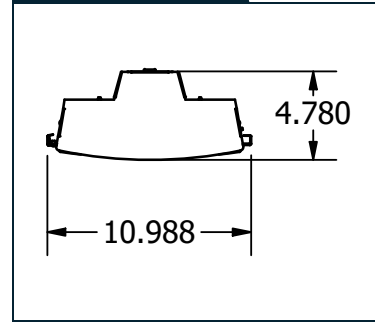
### Warranty Statement

BJ Take products are tested and/or inspected prior to being packaged for shipment and are guaranteed from the day the product is shipped for a period of ten-year LED chip warranty and a five-year comprehensive component warranty. This can be upgraded to a ten-year comprehensive warranty on request.

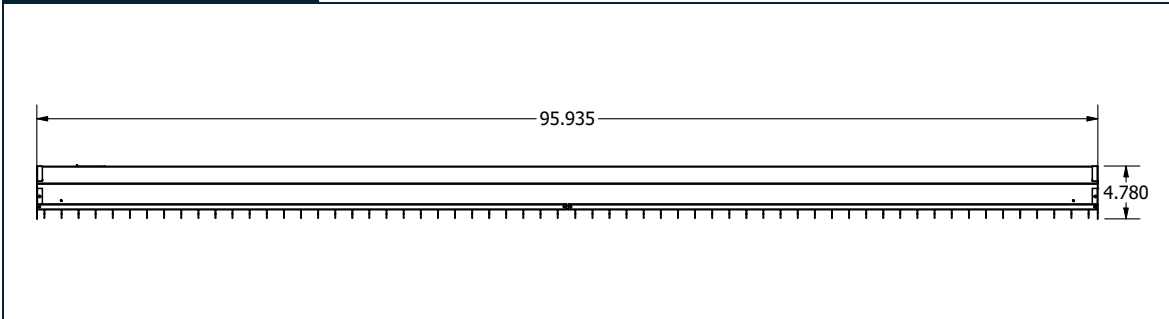
### BLMB, 4 Foot, Side Dims



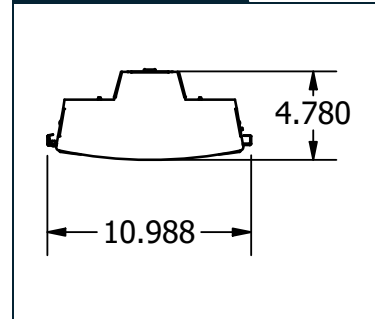
### End View



### BLMB, 8 Foot, Side Dims



### End View



### BLMB, 4 Foot Wattage

Size	Lumen Output	Actual Lumen Output	Fixture Wattage	Lumens per Watt
4'	2L	1982	12.80	154.80
4'	3L	2996	19.90	150.60
4'	4L	3983	27.30	145.90
4'	5L	4986	32.70	152.50
4'	6L	5993	39.90	150.20
4'	7L	6986	47.20	148.00
4'	8L	7967	54.50	146.20
4'	9L	8933	62.00	144.10
4'	10L	9972	70.20	142.10
4'	11L	10911	77.80	140.20

### BLMB, 8 Foot Wattage

Size	Lumen Output	Actual Lumen Output	Fixture Wattage	Lumens per Watt
8'	10L	9972	65.40	152.50
8'	12L	11986	79.80	150.20
8'	14L	13972	94.40	148.00
8'	16L	15934	109.00	146.20
8'	18L	17866	124.00	144.10
8'	20L	19944	140.40	142.10
8'	22L	21822	155.60	140.20

### BLMB, Light Loss Factor (LLF)

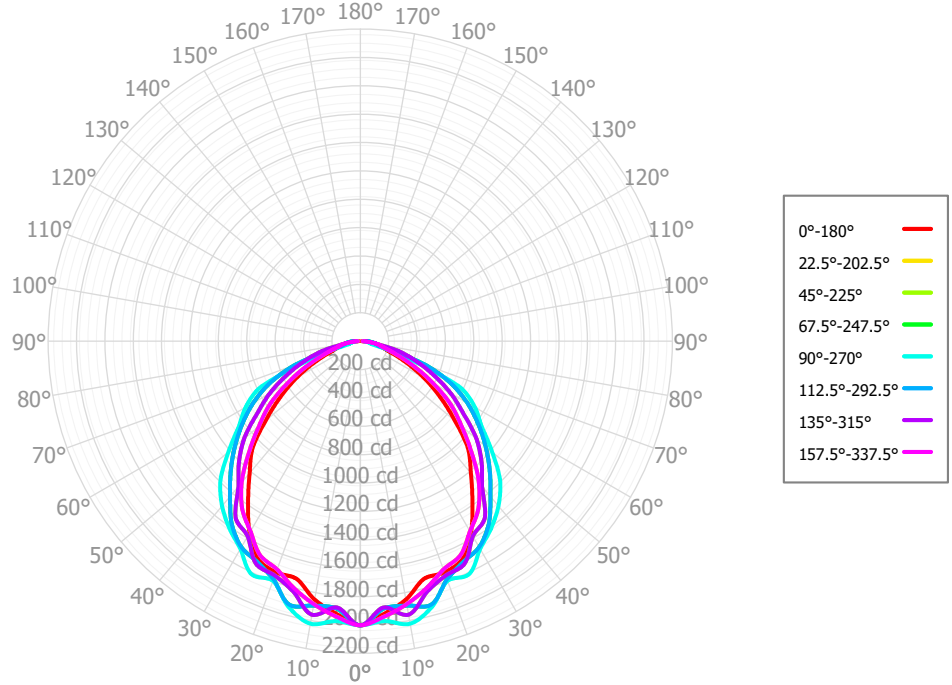
CCT	Output%
2700K	92.95
3000K	95.51
3500K	96.80
4000K	100.00
5000K	101.28
90CRI	84.72

- \* Drawings aren't to scale
- \* Standard tolerances apply
- \* Specifications may change without notice

## BLMB-4FT-5L-840-J31

### Cone of Light

Mtg Height	Light Level	Beam Diameter
6.0 ft	55.6 fc	12.7 ft
8.0 ft	31.3 fc	16.9 ft
10.0 ft	20.0 fc	21.1 ft
12.0 ft	13.9 fc	25.4 ft
14.0 ft	10.2 fc	29.6 ft
16.0 ft	7.8 fc	33.8 ft

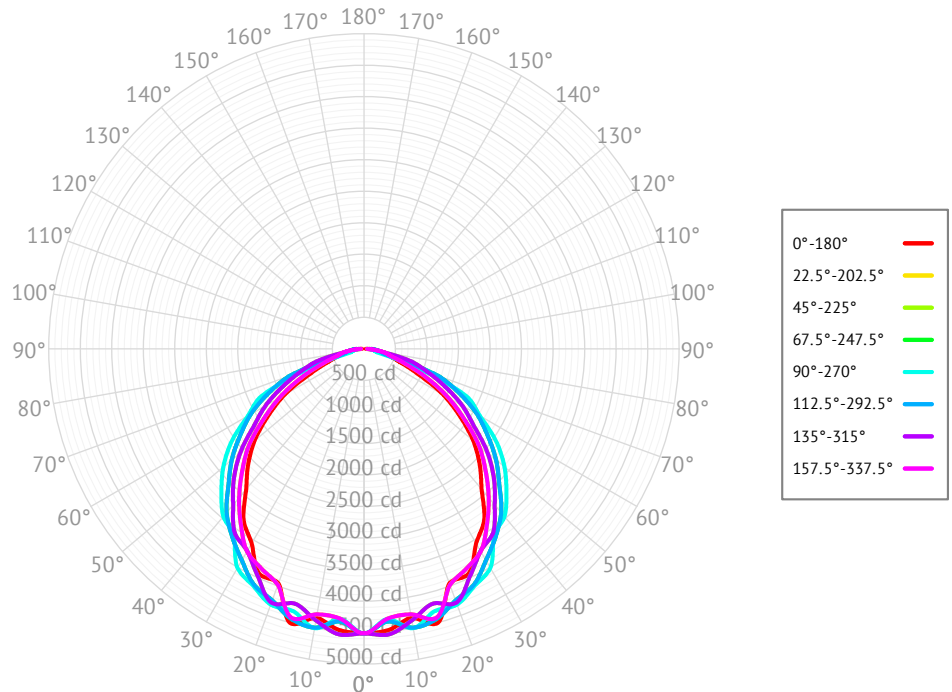


Based on 'BLMB-4FT-5L-840-J31', ie. (BLMB, 4 foot, 5000lm, 80 CRI, 4000K)

## BLMB-8FT-12L-840-J31

### Cone of Light

Mtg Height	Light Level	Beam Diameter
6.0 ft	125.4 fc	14.2 ft
8.0 ft	70.5 fc	19.0 ft
10.0 ft	45.1 fc	23.7 ft
12.0 ft	31.3 fc	28.5 ft
14.0 ft	23.0 fc	33.2 ft
16.0 ft	17.6 fc	37.9 ft

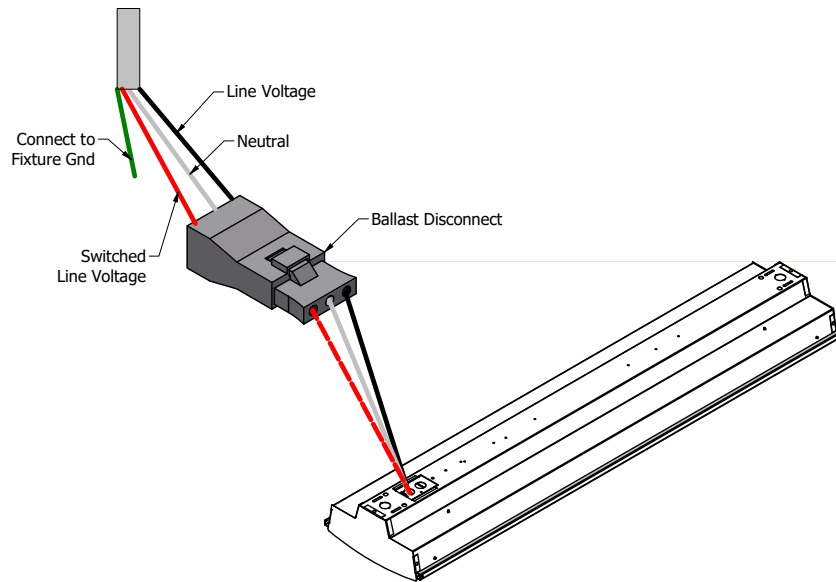


Based on 'BLMB-8FT-12L-840-J31', ie. (BLMB, 8 foot, 12000lm, 80 CRI, 4000K)

### Emergency Battery Plan - 20W

Emergency Lighting	Solution System Components	System Operation
Option Code 'B17' - UL 924 listed components that are factory installed in the luminaire	UL 924 listed 20-watt battery integral to the luminaire	Loss of normal power is detected by the B17 emergency light solution and the power supply is switched automatically to the 20-watt integral battery pack which powers the emergency LED lighting driver.
	UL 924 listed LED emergency lighting driver integral to the luminaire	The battery pack and emergency LED driver are UL 924 certified to provide a minimum of 90-minutes of emergency lighting.
	Wiring options for both switched and unswitched emergency lighting	

### Emergency Lighting Wiring



**Note:** If there is no switched line voltage then place jumper from black to red.



### Important Information

More information on emergency lighting options and configurations available on request.