



Project

Product Code

Type

Date

Approval

Superior-grade, suspended mount LED low bay fixture. It is ideal for indoor use, where energy-efficiency, performance and ease of maintenance is essential. Its rugged design and superior light output make it an ideal fixture for low and high bay applications

Overview

- L70 of 145,000 hours+
- L90 of 41,000 hours+
- 0 - 10V dimming standard

Construction

- Manufactured in Ontario, Canada
- Precision-bent, high-reflectance powder-coated body
- 0.030in nominal thick steel
- Access panel for easy wiring
- Shallow fixture design provides a clean appearance

Electrical

- ETL certified to UL Canada and United States standards

Optics

- High-efficiency diffuser maximizes light distribution while providing diffusion of LED point sources.
- Optics available for narrow, and standard distribution

Mounting

- Holes provided for V-hook, S-hook chain-mounting or aircraft cable.
- Optional pendant mounting is available

Options

- 80 CRI standard - 90 CRI, 95+CRI available
- Available in 3000K, 3500K, 4000K, 5000K, and 6500K
- Lumen packages are available from 10,000L to 24,000L
- Motion sensor options available
- Wire guard
- Bluetooth and wireless mesh networks controls

NOTES

↓ ↓ ↓ NOMENCLATURE

Fixture Type	Fixture Size	Lumen Output	CRI	Color Temp	Driver Voltage	Options
BLLA	-	-	L -	-	-	-
	2'	10	8 - 80 CRI	30 - 3000 K	UNV - 120-277V	
		12	9 - 90 CRI	35 - 3500 K	347 - 347V	
		14		40 - 4000 K	480 - 480V	
		15		50 - 5000 K		
	4'	18		65 - 6500 K		
		20				
		24				

Lenses

- L0 - No Lens
- L55 - Clear Acrylic Lens
- L67 - Frosted Acrylic Lens

Cords

- W3xx - 16/3 White Cord
- W4xx - 16/3 Black Cord
- W** - Other Options Available

XX	Cord Length
06	6 Ft
10	10 Ft
15	15 Ft
20	20 Ft

Example: W306 - 6 foot white cord

Mounting

- M1 - V-Hangers
- M2xx - V-Hangers & Aircraft Cables
- M3xx - Y-Toggle Aircraft Cables
- M24 - Single Pendant Mount
- M25 - Surface Mount Brackets
- M** - Other Options Available

XX	Aircraft Length
05	5 Ft
10	10 Ft
15	15 Ft
20	20 Ft

Example: M310 - 10 foot aircraft cables

Wire Guard

- G1 - White Wire Guard

Motion Sensor

- W26 - Photocell Motion Sensor
- W53xxx - On/Off Motion Sensor
- W57 - Dimming Motion Sensor (Dims to 50% and stays at 50% output when unoccupied)
- WX16 - Microwave Dimmable Sensor
- W** - Other Options Available

Controls

- B11 - 0-10V Dimming Leads
- B17 - Battery Back Up
- B** - Other Options Available
- WC** - Wireless Controls

Colours

- Blank - Pre-painted Steel
- C5 - Black Low-Gloss, Matte Finish
- C** - Other Options Available

Packaging

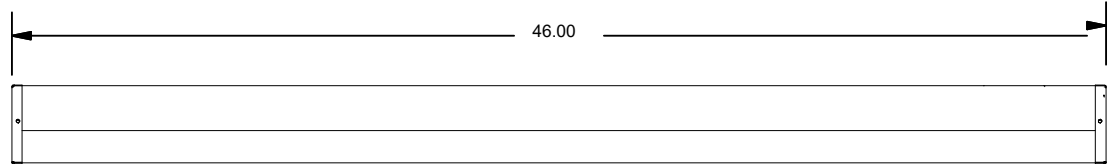
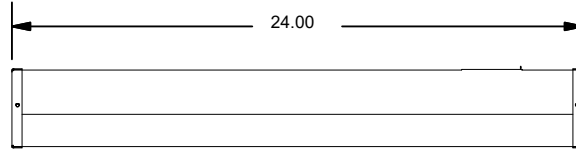
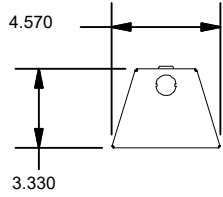
- P0 - Bulk Packaging
- P** - Other Options Available

** - Consult BJ Take for more fixture options

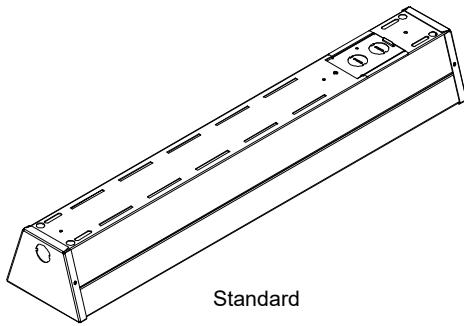
xx - Specify Length

1 - Custom cord lengths are available

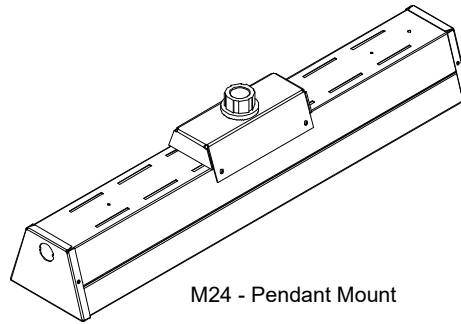
DIMENSIONS



Specifications may change without notice Standard tolerances apply Drawings aren't to scale



Standard



M24 - Pendant Mount

SPECIFICATIONS

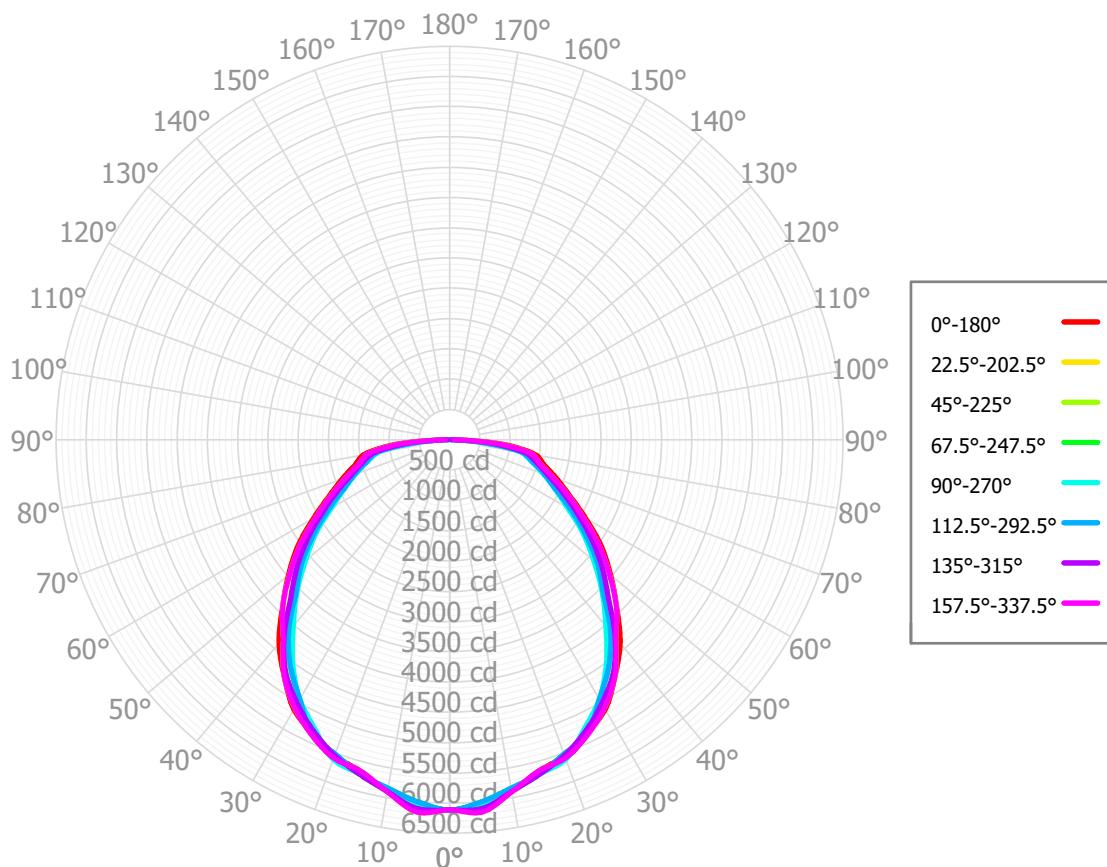
BLLA Wattage Chart

Length	Lumen Output	Actual Lumen Output	Fixture Wattage	Lumens per Watt	Length	Lumen Output	Actual Lumen Output	Fixture Wattage	Lumens per Watt
2'	10	9492.0	65.2	145.7	4'	14	13232.0	90.1	146.8
	12	11424.6	79.3	144.1		15	14703.6	100.9	145.8
						18	17399.0	119.3	145.8
						20	18437.4	130.0	141.8
						24	22191.3	158.2	140.3

Based on UNV Voltage
Based on 4000K
Based on 80 CRI

PHOTOMETRICS

BLLA-4'-18L-840-L67



Mtg Height	Light Level	Beam Diameter
6.0 ft	169.9 fc	16.9 ft
8.0 ft	95.6 fc	22.6 ft
10.0 ft	61.2 fc	28.2 ft
12.0 ft	42.5 fc	33.9 ft
14.0 ft	31.2 fc	39.5 ft
16.0 ft	23.9 fc	45.2 ft