

Project:
Type:
Date:
Product Code:
Approval:



**BLHV**

Superior-grade, High Bay vapour proof LED fixture. The BLHV is ideal for indoor or outdoor use where there is a high probability of exposure to dust, water or vapour. Its unique, IP67 certified body makes it ideal in environments where vapour-proof efficiency and performance are a factor.

**FEATURES**

- L70 of 100,000 hours
- Fibreglass body with a continuous poured neoprene gasket
- 0-10V dimming standard
- Marine Grade 316-Stainless steel clips standard

**OPTIONS**

- Lumen packages are available from 10,000L to 44,000L
- Available in 3000K, 3500K, 4000K, 5000K, and 6500K\*
- Pendant Mount
- 90 CRI available
- IP66 rated motion sensor
- IP69 rated fixture housing (only available in the 2 foot fixture)
- Polycarbonate Lens

**OPERATING TEMPERATURE**

-20°C to 40°C available in most models\*\*

**APPLICATIONS**

- Food processing plants
- Manufacturing, Storage, and Warehouse facilities

**OPTICS**

The high-efficiency lens maximizes light distribution while providing diffusion of LED point sources and reducing glare. Optics available for wide or narrow distribution.

**ELECTRICAL**

All components are UL recognized. The fixture is available in 120 - 277V and 347/480V.

**MOUNTING**

Can be suspended, surface or pendant mounted.

**CONSTRUCTION**

Fibreglass body with neoprene gasket ensures a dust and water resistant seal.

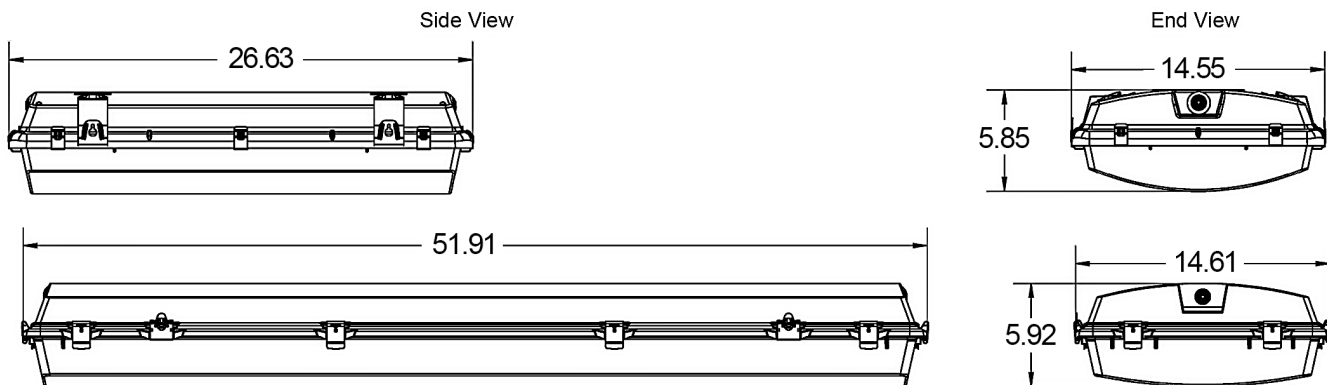
**APPROVALS**

- ETL Listed
- IP65, IP66, and IP67 Rated
- IP69 Rated (only available in the 2 foot fixture)
- NEMA 4X Rated
- NSF Rated
- DLC Listed

**WARRANTY**

Standard 5 year system, and 10 year LED warranty.

**PRODUCT DIMENSIONS**



**PRODUCT KEY**

Fixture Type	Fixture Size	Lumen Output	CRI	Color Temp	Driver Voltage	Options
BLHV	-	-	L	-	-	-

10	8 - 80 CRI	30 - 3000 K	UNV - 120-277V
12	9 - 90 CRI	35 - 3500 K	347 - 347V
14		40 - 4000 K	480 - 480V
16		50 - 5000 K	
18		65 - 6500 K	

- Lenses**
- L26 - Clear Polycarbonate Lens
  - L49 - Frosted Acrylic Lens
  - L55 - Clear Acrylic Lens
  - L59 - Frosted Polycarbonate Lens

**Motion Sensor**

- W12 - On/Off Motion Sensor (Not IP Rated)
- W26 - Dimming Motion Sensor with Photocell
- W30xxx - IP66 Rated Motion Sensor
- W\*\* - Other Options Available

**Cords**

- W3xx - 16/3 White Cord<sup>1</sup>
- W4xx - 16/3 Black Cord<sup>1</sup>
- W\*\* - Other Options Available

XX	Cord Length
06	6 Ft
10	10 Ft
15	15 Ft
20	20 Ft

Example: W306 - 6 foot white cord

**Controls**

- B11 - 0-10V Dimming Leads
- B17 - Battery Back Up
- B\*\* - Other Options Available
- WC\*\* - Wireless Controls

**Mounting**

- Blank - V Hooks
- M2xx - V-Hangers & Aircraft Cables
- M3xx - Y-Toggle Aircraft Cables
- M14 - Heavy Duty Surface Mount Brackets
- M20 - Ceiling Mount V-Hooks
- M24 - Single Pendant Mount
- M\*\* - Other Options Available

**Optics**

- Blank - Narrow Beam Distribution
- O1 - Wide Beam Distribution

**Packaging**

- P0 - Bulk Packaging
- P\*\* - Other Options Available

\*\* - Consult BJ Take for more fixture options  
xx - Specify Length  
1 - Custom cord lengths are available

XX	Aircraft Length
05	5 Ft
10	10 Ft
15	15 Ft
20	20 Ft

Example: M310 - 10 foot aircraft cables

**WATTAGE CHARTS**

BLHV Efficiency Wattage Chart

Size	Lumen Output	Actual Lumen Output	Fixture Wattage	Lumens per Watt	Size	Lumen Output	Actual Lumen Output	Fixture Wattage	Lumens per Watt
2'	10	9,390	69.1	135.8	4'	20	19,346	136.2	142.0
	12	11,114	80.8	137.5		24	22,898	159.2	143.8
	14	12,875	92.5	139.2		28	26,527	182.1	145.7
	16	14,675	104.1	141.0		32	30,236	205.1	147.4
	18	17,110	122.9	139.2		36	35,250	242.0	145.7
	20	18,981	139.3	136.3		40	39,106	274.4	142.5
	22	20,753	155.8	133.2		44	42,755	306.8	139.4

Based on UNV Voltage  
Based on 4000K  
Based on 80 CRI

