



Project	
Nomenclature	
Type	Date
Approval	
Notes	

The BLHJ is a superior-grade, suspended mount LED high bay fixture. It is ideal for indoor use, where energy-efficiency, performance and ease of maintenance is essential. Its rugged design makes it an ideal fixture for high bay applications.

Luminaire Summary

Features

- Operating temperature ranges available from -40C to 55C
- L70 of 170,000+ hours, L90 of 50,000+ hours
- Standard 0 - 10V dimming
- Available in 2700K, 3000K, 3500K, 4000K, 5000K and 6500K

Approvals

- ETL certified to UL Canada and United States standards
- Made with UL Listed components
- DLC Listed
- DLC Premium* (select models only)

Mounting

- Holes provided for V-hangers, S-hook chain-mounting, or aircraft cables
- Optional pendant mount and surface mount brackets

Construction

- Manufactured in Ontario, Canada
- Cold-rolled steel parts are precision bent for added strength and rigidity
- Access panel provided for easy wiring
- Powder-coated finish in high-reflectance gloss white

Electrical

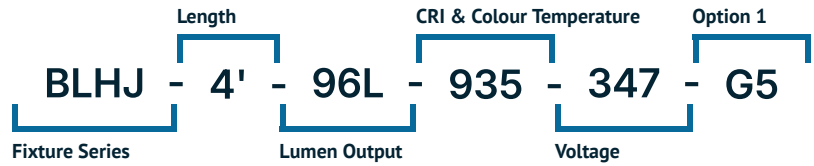
- Available in 120-277V, 277-480V and 277-480V

Options

- Motion sensors available
- Wireless Controls Available
- 90 and 95+ CRI Options Available
- -40C Option Available

Ordering Information

Fill in the fields below with your product selections. If you need help with this section, [contact your local sales professional.](#)



1	2	3	4	5
BLHJ				

Series	Length & Lumen Output				CRI	Colour Temp	Voltage
BLHJ	2'-10L	(10,355lm)	4'-20L	(20,381lm)	8 - 80 CRI	27 - 2700K	UNV - 120-277V
	2'-12L	(12,243lm)	4'-24L	(24,182lm)	9 - 90 CRI	30 - 3000K	347 - 277-480V
	2'-14L	(14,127lm)	4'-28L	(28,255lm)	1 - 95+ CRI	35 - 3500K	480 - 277-480V
	2'-16L	(16,140lm)	4'-32L	(32,239lm)		40 - 4000K	
	2'-18L	(18,132lm)	4'-36L	(36,159lm)		50 - 5000K	
	2'-20L	(20,174lm)	4'-40L	(40,333lm)		65 - 6500K	
	2'-22L	(22,230lm)	4'-44L	(44,190lm)			
	2'-24L	(24,137lm)	4'-48L	(48,289lm)			
	2'-28L	(28,238lm)	4'-56L	(56,492lm)			
	2'-30L	(30,087lm)	4'-60L	(60,170lm)			
	2'-32L	(32,219lm)	4'-64L	(64,176lm)			
	2'-36L	(34,063lm)	4'-72L	(72,312lm)			
	2'-40L	(40,052lm)	4'-80L	(80,104lm)			
	2'-44L	(44,190lm)	4'-88L	(88,381lm)			
	2'-48L	(48,289lm)	4'-96L	(96,950lm)			

Options

Lenses

L0	No Lens
L69	Glare Control Lens
L81	30x60 Aisle Lens
L82	10x60 Aisle Lens

Cords

W3xx	White 16/3 (Specify Length)
W4xx	Black 16/3 (Specify Length)
W59xx	White 18/5 (Specify Length)
W***	Other Options Available*

Key	Cord Length	Key	Cord Length
6	6FT	15	15FT
10	10FT	20	20FT

Ex. W406 would be 16/3 Black, 6FT

Dimming

B11	0-10V Dimming Leads
B12	Line Voltage Dimming
B27	Dim-to-off Driver

Controls

WC10*	Encelium Wireless Controls
WC18*	NX Wireless Controls
WC19*	Avi-on Wireless Controls
WC22*	JDRF Wireless Controls

Motion Sensors

W26	Photocell Motion Sensor
W57	Dimming Motion Sensor (dims to 50% when unoccupied)
W53*	On/Off
W8*	High/Low
WX16	Microwave Dimmable Sensor
W**	Other Options Available*

Emergency Driver

B24	UL924 20W Battery Back-up
F8	UL924 Emergency Relay

Temperature Rating

BLANK	Standard
T0	-40C Cold Rated Components

Packaging

BLANK	Individually Boxed on Pallets
P0	Bulk Packaging
P**	Other Options Available*

Mounting

M1	V-Hangers
M2xx	V-Hanger with Aircraft Loop Cables
M3xx	Y-Toggle Aircraft Cables
M24	Single Pendant Mount(3/4 Hub)
M25	Surface Mount
M**	Other Options Available*

Key	Aircraft Length	Key	Aircraft Length
5	5FT	15	15FT
10	10FT	20	20FT

Ex. M305 would be Y-Toggle, 5FT

Warranty

CL7	10-Year Comprehensive Warranty Upgrade
-----	--

Wire Guard

G1	Heavy Duty White
G5	Heavy Duty Black

Documentation and Resources

All files and resources are available on our website for download. Files and resources are also embedded as links in this document, listed below. Additional files may be available upon request. Please contact your local sales agent [here](#) or contact sales@bjtake.com for more information.

- BLHJ - Installation Instructions
- BLHJ-2'-24L-850-L81
- BLHJ-2'-24L-850-L82
- BLHJ-4'-48L-850-L69
- BLHJ-4'-48L-850-L81
- BLHJ-4'-60L-850-L69
- BLHJ-4'-60L-850-L81
- BLHJ-4'-72L-850-L69
- BLHJ-4'-72L-850-L81
- BLHJ-4'-96L-850-L69
- BLHJ-4'-96L-850-L81
- BLHJ-4'-96L-850-L82
- BLHJ-4'-60L-850-L82

Certifications and Listings

Certifications that apply to this fixture and its possible configurations are listed here. More information available upon request.

Icon	Description
	DLC Premium* (select models only)
	Wireless Controls Available
	DLC Listed
	ETL Listed
	90 and 95+ CRI Options Available

Usage Applications

This fixture can be used in a variety of applications, and is ideal for the following:

Usage Application
Logistics And Warehousing
Manufacturing Plants
Retail Stores
Cold Storage And Freezers
Gymnasiums And Arenas
Professional Sports Facilities

Warranty Statement

BJ Take products are tested and/or inspected prior to being packaged for shipment and are guaranteed from the day the product is shipped for a period of ten-year LED chip warranty and a five-year comprehensive component warranty. This can be upgraded to a ten-year comprehensive warranty on request.

Important Information

Below you will find the available wattage charts for the BLHJ. For any required specifications that are not listed here, please contact our sales team at sales@bjtake.com to request any additional information.

BLHJ, 2 Foot Wattage

Lumen Package	Lumen Output	Lm/W	Wattage	Ambient Rating °
10L	10355	161.30	64.20	-40° to 55°
12L	12243	159.00	77.00	-40° to 55°
14L	14127	156.80	90.10	-40° to 55°
16L	16140	154.60	104.40	-40° to 55°
18L	18132	152.50	118.90	-40° to 55°
20L	20174	151.80	132.90	-40° to 40°
22L	22230	149.70	148.50	-40° to 40°
24L	24137	147.90	163.20	-40° to 40°
28L	28238	154.90	182.30	-40° to 55°
30L	30087	153.90	195.50	-40° to 55°
32L	32219	152.70	211.00	-40° to 55°
36L	34063	151.80	224.40	-40° to 55°
40L	40052	152.00	263.50	-40° to 40°
44L	44190	149.90	294.80	-40° to 40°
48L	48289	147.90	326.50	-40° to 40°

BLHJ, 4 Foot Wattage

Lumen Package	Lumen Output	Lm/W	Wattage	Ambient Rating °
20L	20381	161.50	126.20	-40° to 55°
24L	24182	159.20	151.90	-40° to 55°
28L	28255	156.80	180.20	-40° to 55°
32L	32239	156.20	206.40	-40° to 55°
36L	36159	154.00	234.80	-40° to 55°
40L	40333	151.80	265.70	-40° to 40°
44L	44190	149.90	294.80	-40° to 40°
48L	48289	147.90	326.50	-40° to 40°
56L	56492	154.90	364.70	-40° to 55°
60L	60170	155.60	386.70	-40° to 55°
64L	64176	156.30	410.60	-40° to 55°
72L	72312	152.30	474.80	-40° to 55°
80L	80104	152.00	527.00	-40° to 40°
88L	88381	149.90	589.60	-40° to 40°
96L	96950	147.70	656.40	-40° to 40°

BLHJ, Light Loss Factor

CCT	Scaling Factor
3500	97.19
4000	100.00
5000	100.00
90CRI	85.90

BLHJ, Lens Scaling

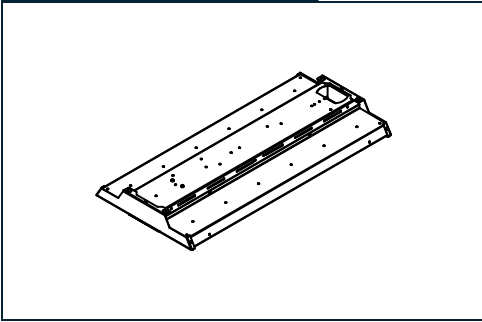
Lens	Lumen Output	Scaling Factor
L69	Glare Control Lens	100.00
L81	30x60 Aisle Optic	100.43
L82	10x60 Aisle Optic	101.74
L0	No Lens	110.25

Important Information

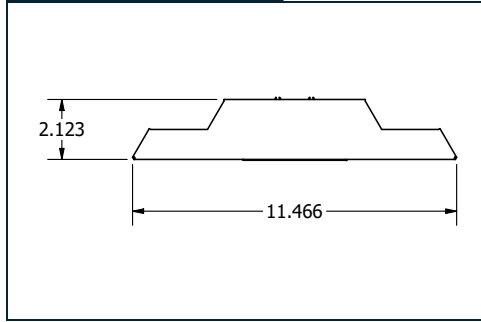
This page of dimensions pertains specifically to the **2 foot** lumen packages ranging from **10L (10,000lm)** to **24L (24,000lm)**. Continue on to the next page for additional lumen package diagrams and dimensions.

Standard Model, 2' 10L-24L

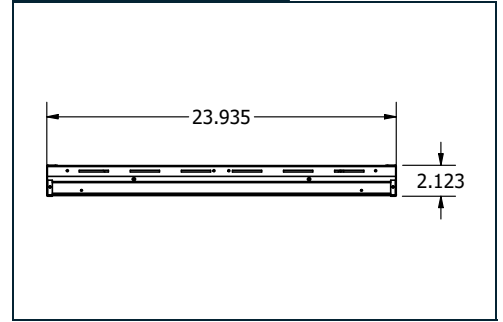
Standard, Isometric View



Standard, End View

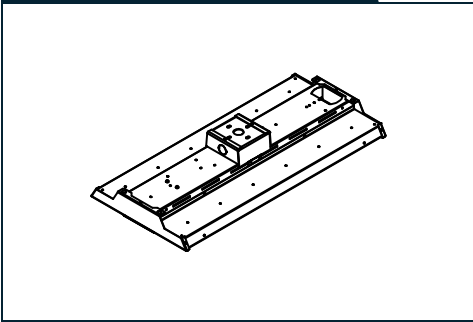


Standard, Side View

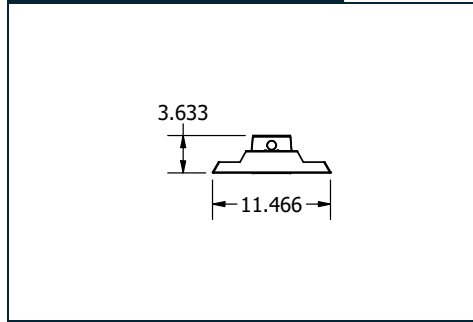


Standard w/ Pendant Mount, 2' 10L-24L

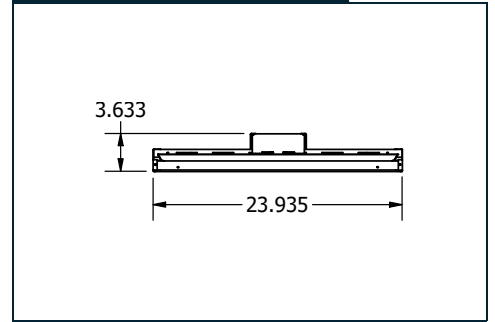
Pendant Mount, Isometric View



Pendant Mount, End View

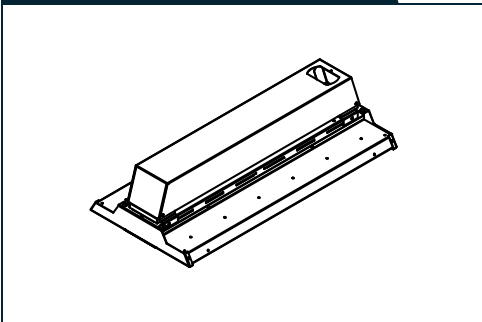


Pendant Mount, Side View

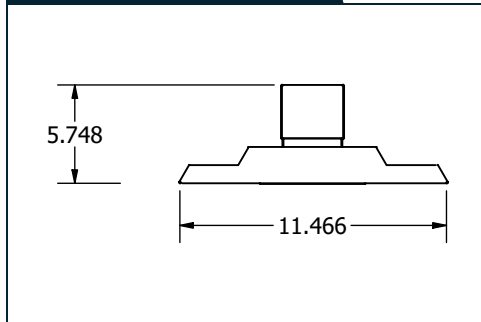


Standard w/ UL924 Battery Backup, 2' 10L-24L

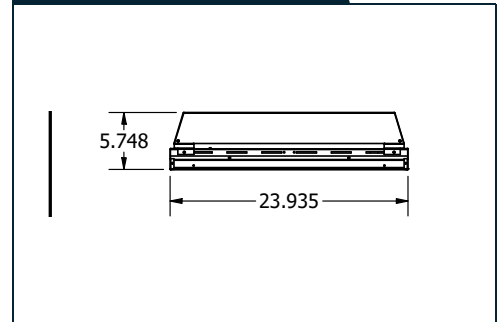
Battery Backup, Isometric View



Battery Backup, End View



Battery Backup, Side View

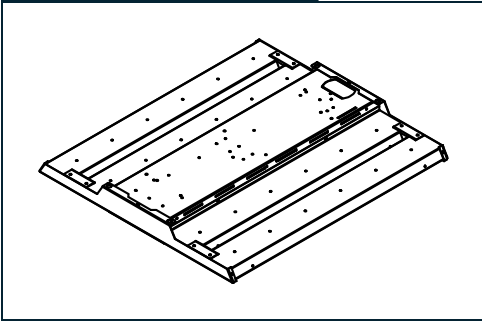


Important Information

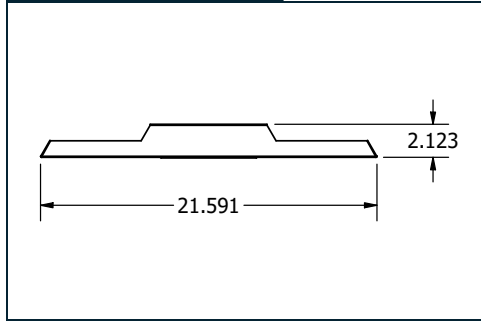
This page of dimensions pertains specifically to the **2 foot** lumen packages ranging from **28L (28,000lm) to 48L (48,000lm)**. Continue on to the next page for additional lumen package diagrams and dimensions.

Standard Model, 2' 28L-48L

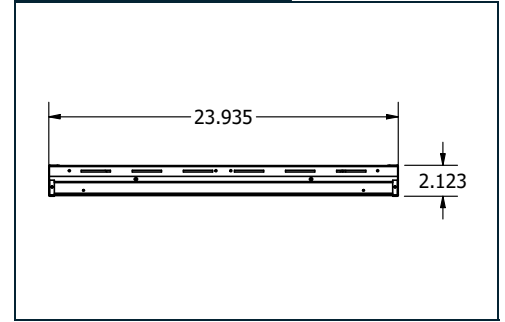
Standard, Isometric View



Standard, End View

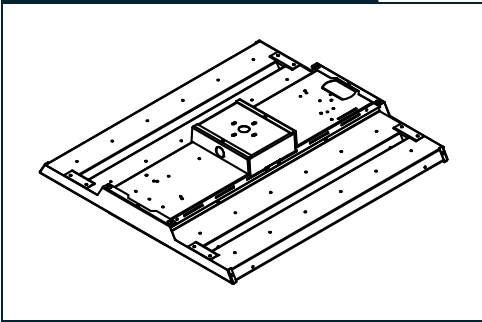


Standard, Side View

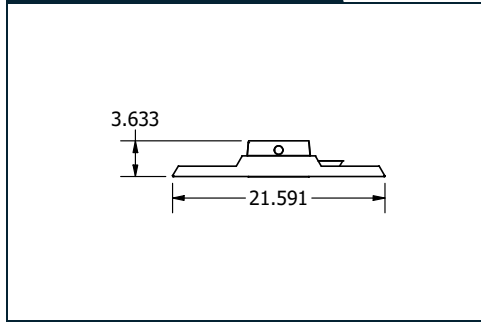


Standard w/ Pendant Mount, 2' 28L-48L

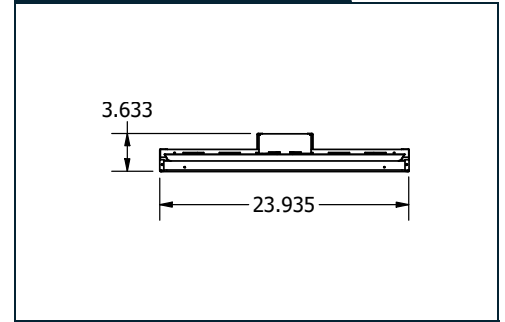
Pendant Mount, Isometric View



Pendant Mount, End View

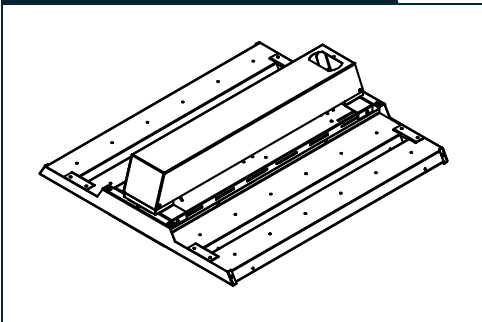


Pendant Mount, Side View

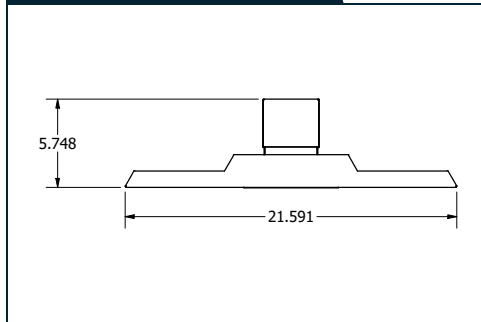


Standard w/ UL924 Battery Backup, 2' 28L-48L

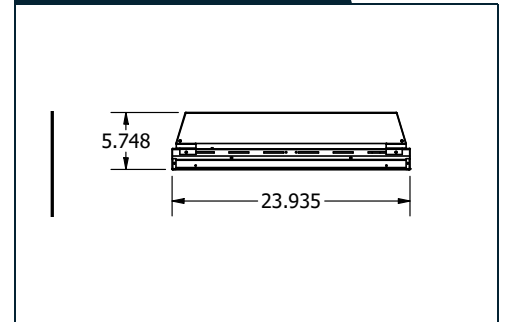
Battery Backup, Isometric View



Battery Backup, End View



Battery Backup, Side View

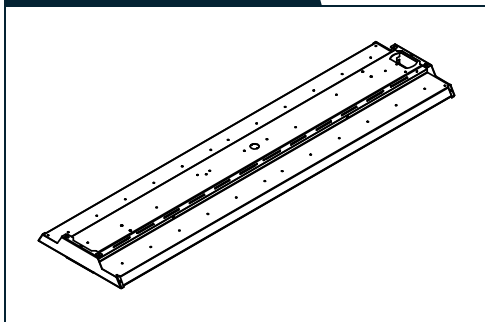


Important Information

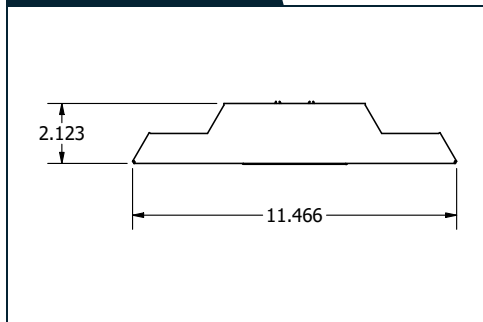
This page of dimensions pertains specifically to the **4 foot** lumen packages ranging from **20L (20,000lm) to 48L (48,000lm)**. Continue on to the next page for additional lumen package diagrams and dimensions.

Standard Model, 4' 20L-48L

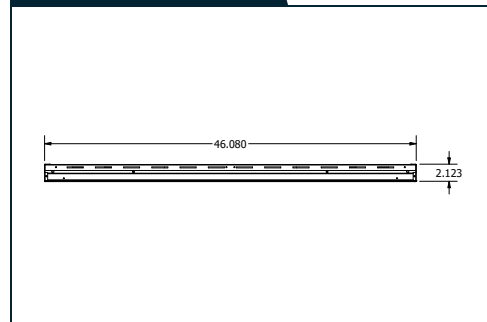
Standard, Isometric View



Standard, End View

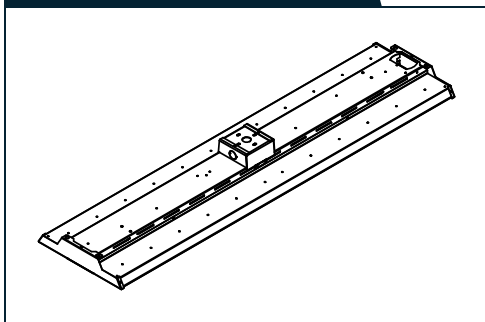


Standard, Side View

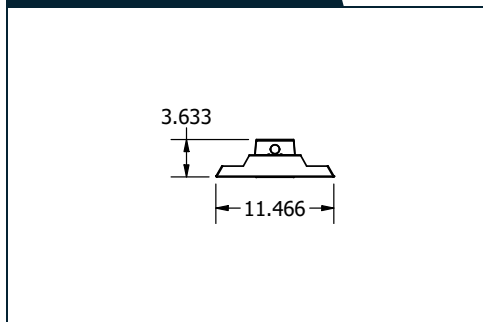


Standard w/ Pendant Mount, 4' 20L-48L

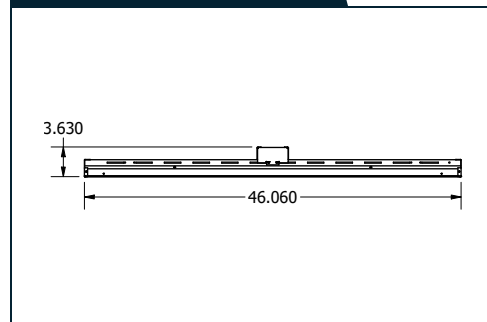
Pendant Mount, Isometric View



Pendant Mount, End View

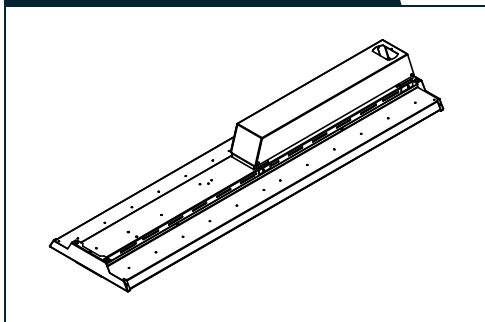


Pendant Mount, Side View

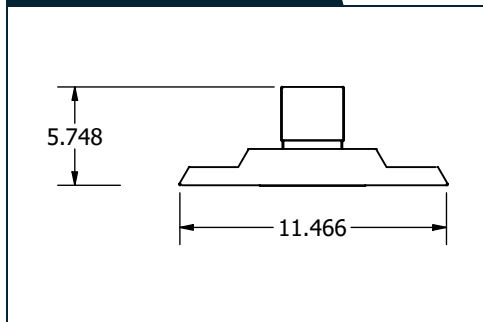


Standard w/ UL924 Battery Backup, 4' 20L-48L

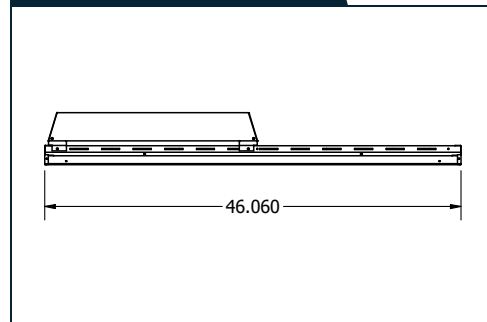
Battery Backup, Isometric View



Battery Backup, End View



Battery Backup, Side View

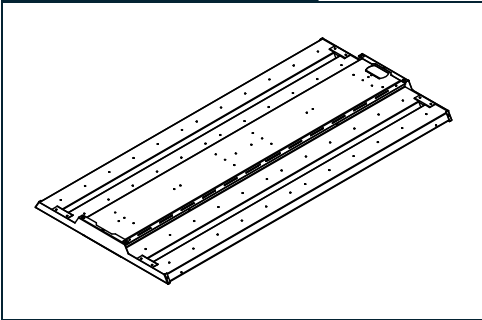


Important Information

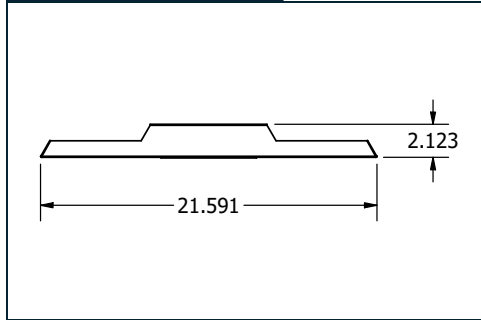
This page of dimensions pertains specifically to the **4 foot** lumen packages ranging from **56L (56,000lm) to 96L (96,000lm)**. Continue on to the next page for additional lumen package diagrams and dimensions.

Standard Model, 4' 56L-96L

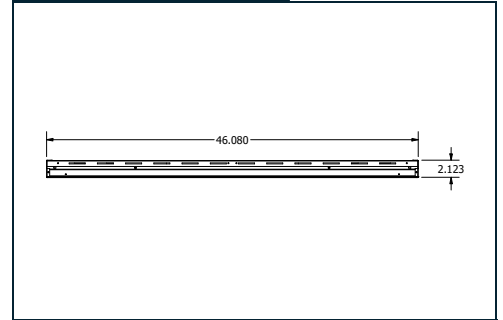
Standard, Isometric View



Standard, End View

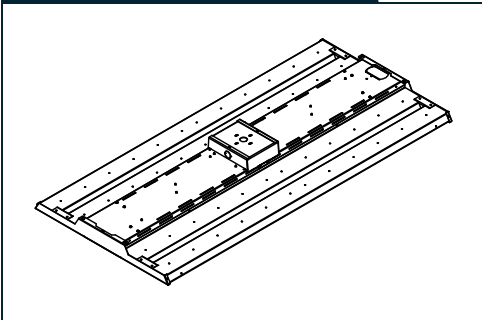


Standard, Side View

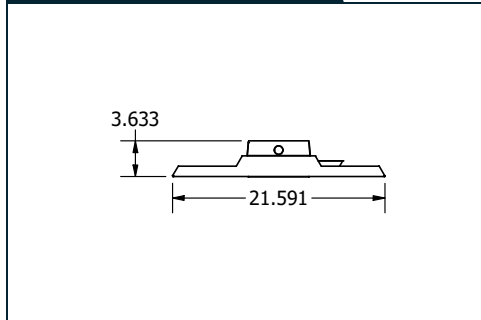


Standard w/ Pendant Mount, 4' 56L-96L

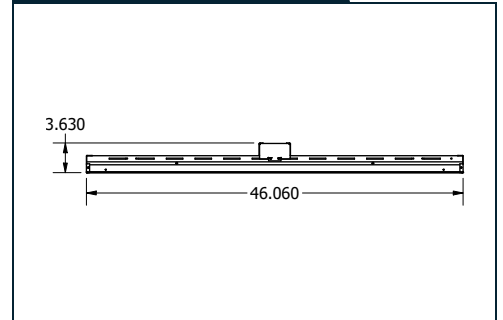
Pendant Mount, Isometric View



Pendant Mount, End View

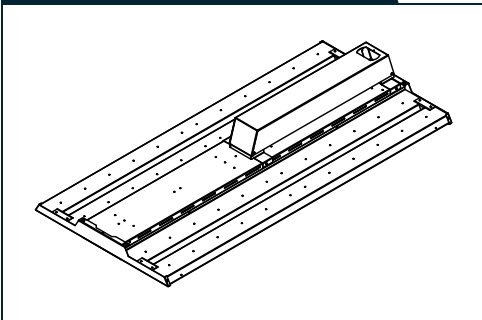


Pendant Mount, Side View

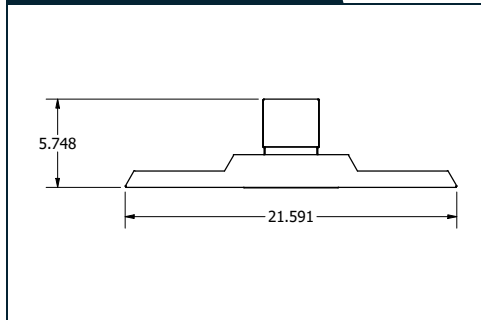


Standard w/ UL924 Battery Backup, 4' 56L-96L

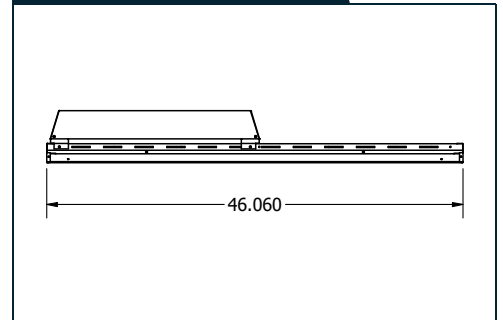
Battery Backup, Isometric View



Battery Backup, End View



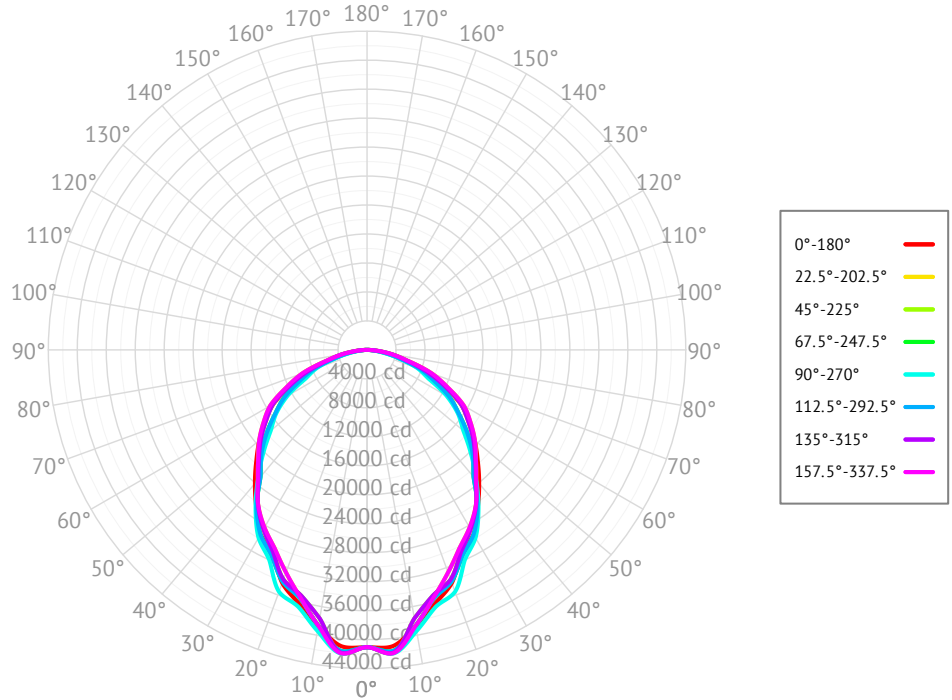
Battery Backup, Side View



BLHJ-4'-96L-850-L69

Cone of Light

Mtg Height	Light Level	Beam Diameter
6.0 ft	1140.2 fc	12.6 ft
8.0 ft	641.4 fc	16.7 ft
10.0 ft	410.5 fc	20.9 ft
12.0 ft	285.1 fc	25.1 ft
14.0 ft	209.4 fc	29.3 ft
16.0 ft	160.3 fc	33.5 ft

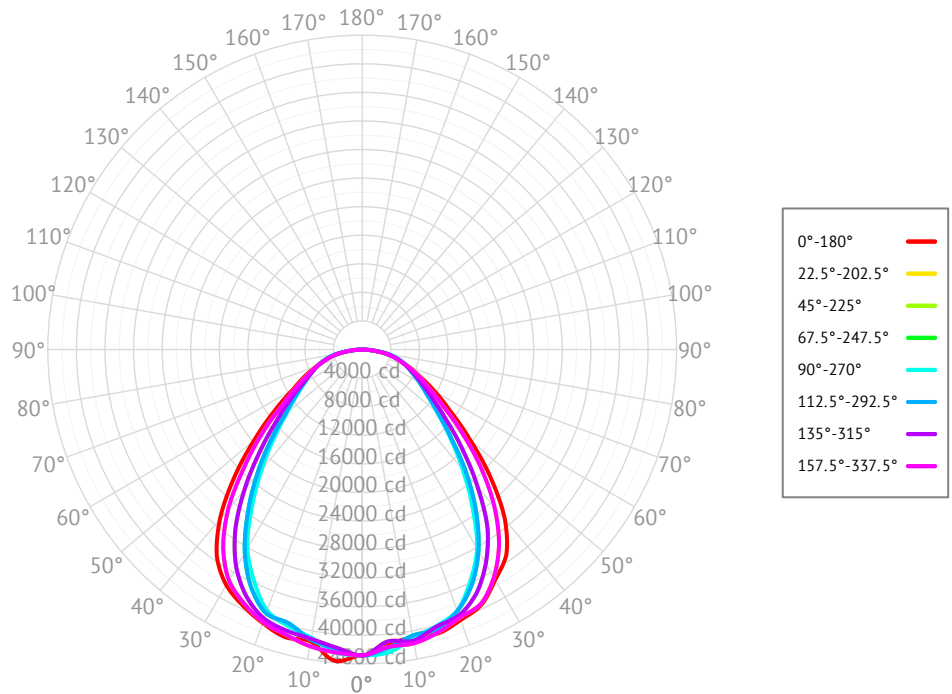


Based on 'BLHJ-4FT-96L-850-L69', ie. (BLHJ, 4 foot, 96000lm, 80 CRI, 5000K, w/ L69 Lens)

BLHJ-4'-96L-850-L81

Cone of Light

Mtg Height	Light Level	Beam Diameter
6.0 ft	1189.2 fc	13.4 ft
8.0 ft	668.9 fc	17.8 ft
10.0 ft	428.1 fc	22.3 ft
12.0 ft	297.3 fc	26.8 ft
14.0 ft	218.4 fc	31.2 ft
16.0 ft	167.2 fc	35.7 ft

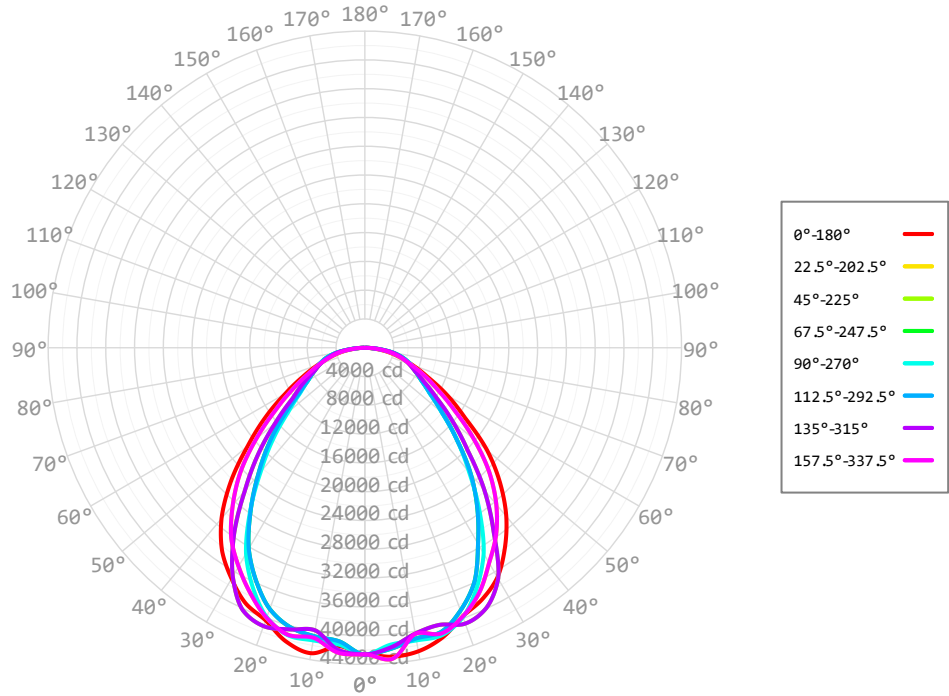


Based on 'BLHJ-4FT-96L-850-L81', ie. (BLHJ, 4 foot, 96000lm, 80 CRI, 5000K, w/ L81 30x60 Aisle Lens)

BLHJ-4'-96L-850-L82

Cone of Light

Mtg Height	Light Level	Beam Diameter
6.0 ft	1183.8 fc	14.3 ft
8.0 ft	665.9 fc	19.1 ft
10.0 ft	426.2 fc	23.8 ft
12.0 ft	295.9 fc	28.6 ft
14.0 ft	217.4 fc	33.4 ft
16.0 ft	166.5 fc	38.1 ft



Based on 'BLHJ-4FT-96L-850-L82', ie. (BLHJ, 4 foot, 96000lm, 80 CRI, 5000K, w/ L82 10x60 Aisle Lens)

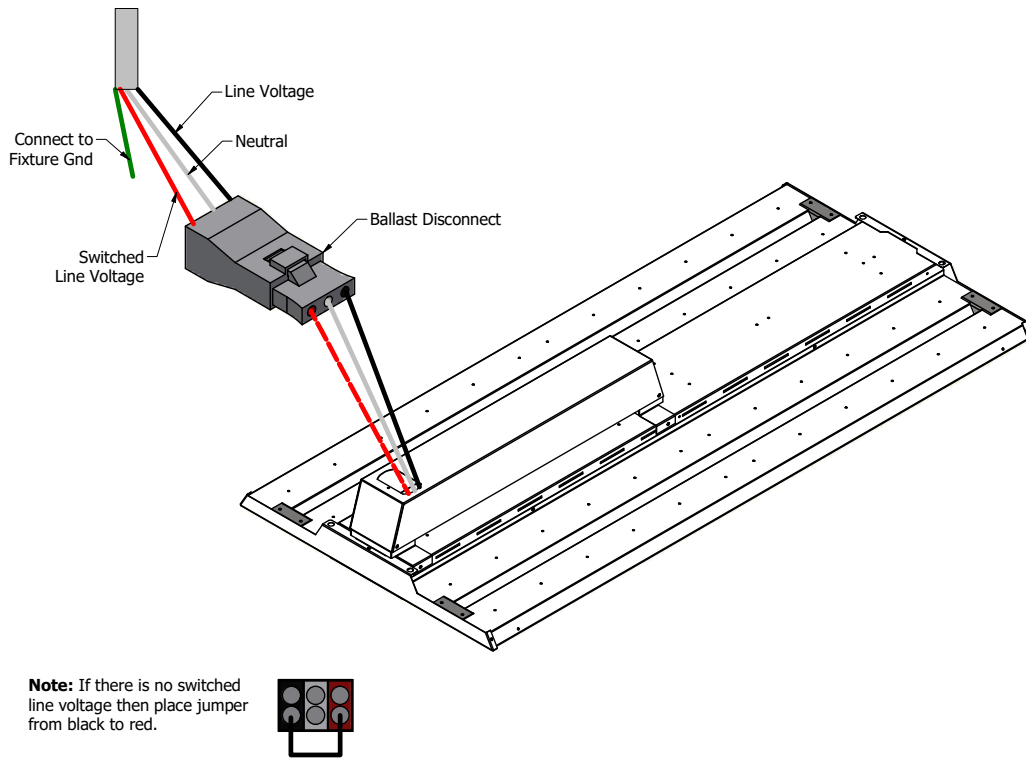
Emergency Driver, Activated Output

Lumen Package(2FT)	Lumen Output(lm)	Lumen Package(4FT)	Lumen Output(lm).1
10L	3700lm	20L	3700lm
12L	3700lm	24L	3700lm
14L	3700lm	28L	3700lm
16L	3700lm	32L	3700lm
18L	3700lm	36L	3700lm
20L	3700lm	40L	3700lm
22L	3700lm	44L	3700lm
24L	3700lm	48L	3700lm
26L	3700lm	56L	3700lm
28L	3700lm	60L	3700lm
30L	3700lm	64L	3700lm
32L	3700lm	72L	3700lm
36L	3700lm	80L	3700lm
40L	3700lm	88L	3700lm
44L	3700lm	96L	3700lm
48L	3700lm	NaN	NaN

Emergency Battery Plan - 20W

Emergency Lighting	Solution System Components	System Operation
Option Code 'B17' - UL 924 listed components that are factory installed in the luminaire	UL 924 listed 20-watt battery integral to the luminaire	Loss of normal power is detected by the B17 emergency light solution and the power supply is switched automatically to the 20-watt integral battery pack which powers the emergency LED lighting driver.
	UL 924 listed LED emergency lighting driver integral to the luminaire	The battery pack and emergency LED driver are UL 924 certified to provide a minimum of 90-minutes of emergency lighting.
	Wiring options for both switched and unswitched emergency lighting	

Emergency Lighting Wiring



Important Information

More information on emergency lighting options and configurations available on request.