

Project:
Type:
Date:
Product Code:
Approval:



BLV
 Superior-grade, suspended-mount vapour proof LED fixture. Fixture is ideal for indoor or outdoor use where there is a high probability of exposure to dust, water or vapour. Its unique, IP67 certified body makes it ideal in environments where vapour-proof efficiency and performance are a factor.

FEATURES

- Fibreglass body with neoprene gasket ensures a dust and water resistant seal
- Diffuser provides a uniform lighting surface while maximizing the total generated light
- 3000K, 3500K, 4000K, and 5000K available
- L70 of 160,000 hours

OPTIONS

- Lumen packages are available from 2500L to 23000L
- NEDAP wireless controls
- 10 watt Philips Bodine Battery Backup
- Pendant Mount
- 90 CRI
- IP66 rated motion sensor

APPLICATIONS

- Food processing plants
- Garages
- Underground parking facilities
- Manufacturing
- Storage areas
- Warehouse facilities

OPTICS

High-efficiency diffuser maximizes light distribution while providing full diffusion of LED point sources.

ELECTRICAL

All components have met all regulatory approvals. Fixture is available in 120 - 277V and 347V.

MOUNTING

Can be suspended or surface-mount configuration.

CONSTRUCTION

Fibreglass enclosure with neoprene gasket ensures a dust and water resistant seal. Frosted acrylic lens ensures a maximum light path is achieved.

APPROVALS

- ETL Listed
- IP65, IP66 and IP67 Rated
- NEMA 4X
- NSF Rated

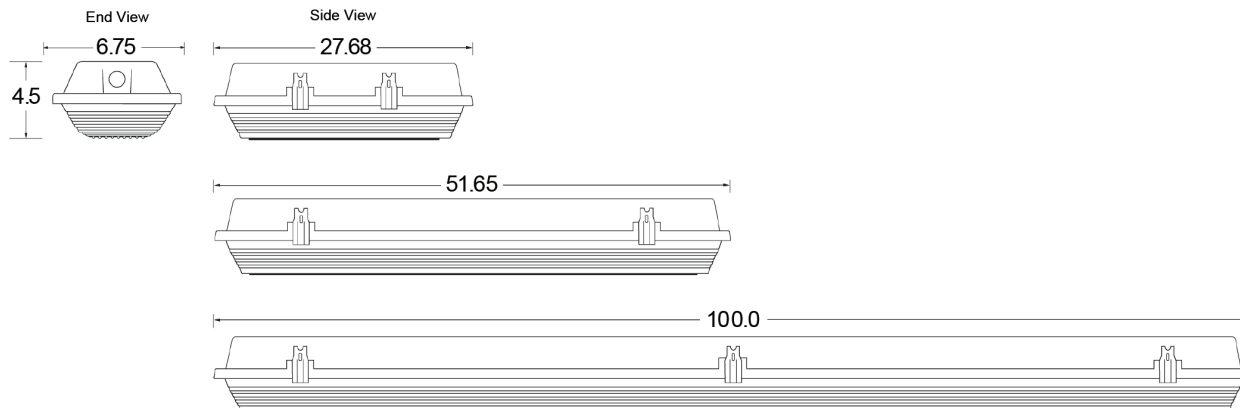
OPERATING TEMPERATURE

- -29°C to 35°C

WARRANTY

Standard 5 year system, and 10 year LED warranty.

PRODUCT DIMENSIONS



PRODUCT KEY

Fixture Type	Fixture Efficiency	Fixture Size	Lumen Output	CRI & Colour Temp	Driver Voltage	Options
BLV						
	S-Standard		2.5	830	UNV	Lenses L16 - Ribbed Frosted Acrylic Lens L17 - Ribbed Clear Acrylic Lens L26 - Ribbed Clear Polycarbonate Lens L64 - Ribbed Frosted Polycarbonate Lens Wireless Controls WC1 - Nedap wireless controls Motion Sensor W12 - Standard Motion Sensor W26 - Motion Sensor with Photocell W30 - IP Rated Motion Sensor Mounting Blank - Standard Mounting Brackets (2pk) M3 - Aircraft Cable "Y-Toggle", 5 FT M23 - Aircraft Cable "Y-Toggle", 10 FT M33 - Dual Pendant Mounting M34 - 45° Mounting Brackets Fastener Options Blank - Standard White Nylon Clips H4 - Stainless Steel Latch Cords W1xx - 16/4 White Cord, Specify Length W2xx - 16/4 Black Cord, Specify Length W3xx - 16/3 White Cord, Specify Length W4xx - 16/3 Black Cord, Specify Length W5xx - Power Cord 16/3, Specify Length and NEMA Code Battery Backup B17 - BSL10LST Bodine Battery Backup *Consult for details
	H-High	2', 4'	3.5	835	347	
			4.5	840		
			5.5	850		
			6.5	930		
			7.5	935		
		4'	8.5	940		
			9.5	950		
			10.5			
			11.5			
			5			
			7			
			9			
			11			
		8'	13			
			15			
			17			
			19			
			21			
			23			

WATTAGE CHARTS

	Lumen Output	Actual Lumen Output	Fixture Wattage	Lumens per Watt		Lumen Output	Actual Lumen Output	Fixture Wattage	Lumens per Watt		Lumen Output	Actual Lumen Output	Fixture Wattage	Lumens per Watt
2'	2.5	2,497	19.72	126.6	4'	2.5	2,568	19.7	130.3	8'	5.0	5,176.0	36.69	141.1
	3.5	3,561	28.82	123.6		3.5	3,665	28.8	127.2		7.0	7,387.0	53.65	137.7
	4.5	4,572	37.93	120.5		4.5	4,705	37.9	124.0		9.0	9,182.0	67.67	135.7
				5.5		5,439	43.3	125.6	11.0		11,206.0	82.70	135.5	
				6.5		6,189	48.7	127.1	13.0		13,226.0	97.73	135.3	
				7.5		7,121	56.3	126.5	15.0		15,238.0	112.76	135.1	
				8.5		8,044	63.9	125.9	17.0		17,245.0	127.78	135.0	
				9.5		8,957	71.5	125.3	19.0		19,247.0	142.81	134.8	
				10.5		9,862	79.1	124.7	21.0		21,244.0	157.84	134.6	
				11.5		10,757	86.7	124.1	23.0		23,234.0	172.87	134.4	

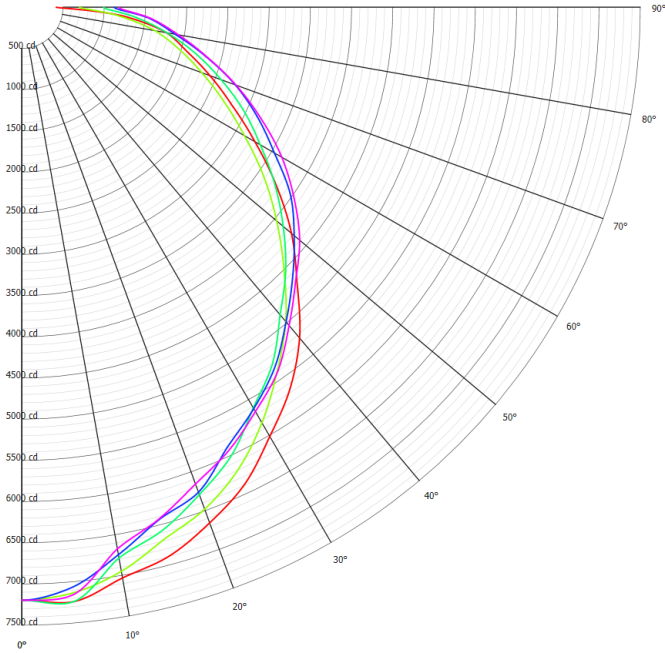
	Lumen Output	Actual Lumen Output	Fixture Wattage	Lumens per Watt		Lumen Output	Actual Lumen Output	Fixture Wattage	Lumens per Watt		Lumen Output	Actual Lumen Output	Fixture Wattage	Lumens per Watt
2'	2.5	2,505	17.77	141.0	4'	2.5	2,509	17.9	139.9	8'	5.0	5,194.0	33.78	153.8
	3.5	3,414	24.49	139.4		3.5	3,419	24.7	138.3		7.0	7,166.0	47.13	152.0
	4.5	4,301	31.21	137.8		4.5	4,307	31.5	136.7		9.0	9,383.0	61.82	151.8
				5.5		5,395	38.3	140.9	11.0		11,447.0	75.60	151.4	
				6.5		6,540	45.1	145.1	13.0		13,504.0	89.30	151.2	
				7.5		7,564	51.5	147.0	15.0		15,554.0	103.00	151.0	
				8.5		8,551	58.4	146.5	17.0		17,596.0	116.80	150.7	
				9.5		9,532	65.3	146.0	19.0		19,631.0	130.50	150.4	
				10.5		10,506	72.2	145.6	21.0		21,658.0	144.30	150.1	
				11.5		11,474	79.1	145.1	23.0		23,677.0	158.00	149.9	

* Based on UNV voltage
* Based on 4000K

PHOTOMETRIC DATA

BLV-H-8'-23L-840-UNV-L16

Candela Polar Plot



Cone of Light

Mtg Height	Light Level	Beam Diameter
6 ft	200 fc	20 ft
8 ft	112 fc	26 ft
10 ft	72 fc	33 ft
12 ft	50 fc	39 ft
15 ft	32 fc	49 ft