

BLV-H27

Hazardous Location Vapour Proof LED Fixture



Project

Product Code

Type

Date

Approval

The BLV-H27 is a narrow body LED linear hazardous location fixture. It is ideal for indoor or outdoor use where there is a high probability of exposure to dust, water or vapour. Its unique, IP67 certified body makes it ideal in environments where vapourproof efficiency and performance are a factor

Overview

- Fibreglass body with a continuous poured neoprene gasket
- L70 of 160,000 hours
- 0 - 10V dimming standard

Construction

- Manufactured in Ontario, Canada
- Fibreglass enclosure with neoprene gasket ensures a dust and water resistant seal
- Frosted acrylic lens for even light distribution

Electrical

- ETL certified to UL Canada and United States standards
- Available in 120 - 277V and 347V

Optics

- The high-efficiency lens maximizes light distribution while providing full diffusion of LED point sources and reducing glare

Mounting

- Can be suspended, surface or pendant mounted

Options

- L70 of ##,000 hours+
- L90 of ##,000 hours+
- 80 CRI standard - 90 CRI, 95+CRI available
- Lumen packages are available from 2,500L to 7,500L
- Available in 3000K, 3500K, 4000K, 5000K, and 6500K
- Polycarbonate Lens

NOTES

BLV-H27

Hazardous Location Vapour Proof LED Fixture



↓ ↓ ↓ NOMENCLATURE

Fixture Type	Efficacy	Fixture Size	Lumen Output	CRI	Color Temp	Driver Voltage	Options
BLV	H		L				H27
	H - High		2.5	8 - 80 CRI	30 - 3000 K	UNV - 120-277V	
		2', 4'	3.5	9 - 90 CRI	35 - 3500 K	347 - 347V	
			4.5		40 - 4000 K		
			5.5		50 - 5000 K		
			6.5		65 - 6500 K		
		4'	7.5				
			8.5				
			9.5				
			10.5				
			11.5				
		8'	5				
			7				
			9				
			11				
			13				
			15				
			17				
			19				
			21				
			23				

Mounting		Hazardous Locations	
Blank	- Standard V-Hooks	H27	- Hazardous Locations Class 1
M3xx	- Y-Toggle Aircraft Cables		- Div. 2 Groups ABCD, Class 2
M14	- Heavy Duty Surface Mount Brackets		- Div. 2 Groups FG, Class 3 Div. 2
M20	- Ceiling Mount V-Hooks		
M**	- Other Options Available		

Lenses	
L26	- Clear Polycarbonate Lens
L49	- Frosted Acrylic Lens
L55	- Clear Acrylic Lens
L59	- Frosted Polycarbonate Lens

Cords (Specify Length)	
W3xx	- 16/3 White Cord
W4xx	- 16/3 Black Cord
W**	- Other Options Available

XX	Cord Length
06	6 Ft
10	10 Ft
15	15 Ft
20	20 Ft

Example: W306 - 6 foot white cord

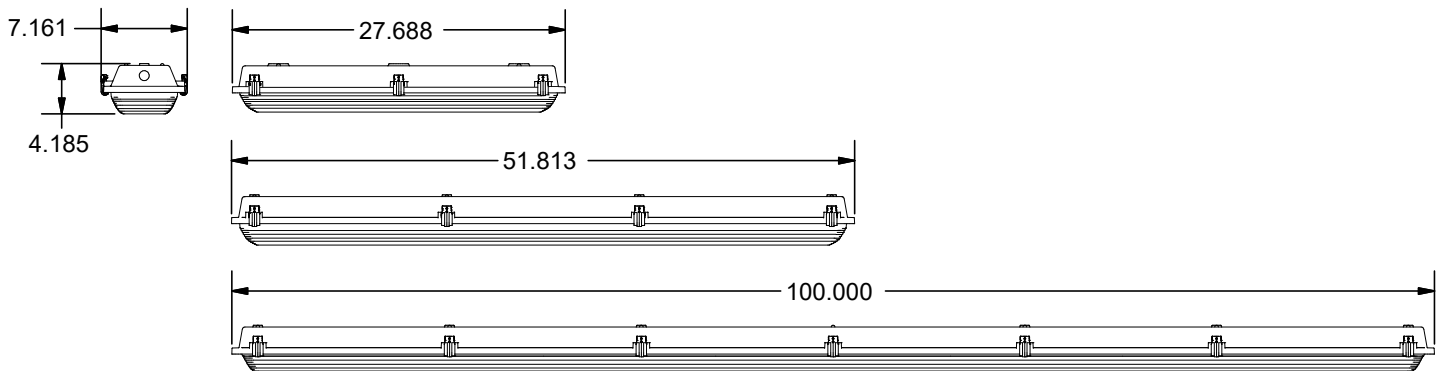
Fastener Options	
Blank	- Stainless Steel Latch

Controls	
B11	- 0-10V Dimming Leads
WC**	- Wireless Controls

Optics	
Blank	- Standard Beam Distribution
O1	- Wide Beam Distribution

Packaging	
P0	- Bulk Packaging
P**	- Other Options Available

📐 DIMENSIONS



BLV-H27

Hazardous Location Vapour Proof LED Fixture



SPECIFICATIONS

Wattage Chart														
	Lumen Output	Actual Lumen Output	Fixture Wattage	Lumens per Watt		Lumen Output	Actual Lumen Output	Fixture Wattage	Lumens per Watt		Lumen Output	Actual Lumen Output	Fixture Wattage	Lumens per Watt
2'	2.5	2,505	17.77	141.0	4'	2.5	2,509	17.9	139.9	8'	5.0	5,194.0	33.78	153.8
	3.5	3,414	24.49	139.4		3.5	3,419	24.7	138.3		7.0	7,166.0	47.13	152.0
	4.5	4,301	31.21	137.8		4.5	4,307	31.5	136.7		9.0	9,383.0	61.82	151.8
				5.5		5,395	38.3	140.9	11.0		11,447.0	75.60	151.4	
				6.5		6,540	45.1	145.1	13.0		13,504.0	89.30	151.2	
				7.5		7,564	51.5	147.0	15.0		15,554.0	103.00	151.0	
				8.5		8,551	58.4	146.5	17.0		17,596.0	116.80	150.7	
				9.5		9,532	65.3	146.0	19.0		19,631.0	130.50	150.4	
				10.5		10,506	72.2	145.6	21.0		21,658.0	144.30	150.1	
				11.5		11,474	79.1	145.1	23.0		23,677.0	158.00	149.9	

Based on UNV Voltage
Based on 4000K
Based on 80 CRI