

Project

Product Code

Type

Date

Approval

This superior-grade LED decorative retail fixture is ideal for indoor use, where energy efficiency, performance and ease of maintenance is essential. Its rugged design and superior light paths make it an ideal fixture for low and high bay applications

Overview

- L70 of ##,000 hours+
- L90 of ##,000 hours+
- 0 - 10V dimming standard

Construction

- Manufactured in Ontario, Canada
- Precision bent cold-rolled steel components
- Steel end caps for added rigidity
- Powder coated for a clean look and durable finish
- Access panel provided for easy wiring
- Shallow fixture design provides a clean appearance for many environments

Electrical

- ETL certified to UL Canada and United States standards.
- Available in 120-277V, 347V and 480V

Optics

- High-efficiency diffuser maximizes light distribution while providing diffusion of LED point sources and reducing glare

Mounting

- Holes provided for v-hangers, s-hook chain-mounting or aircraft cable.
- Optional pendant mounting and surface mounting is available

Options

- 80 CRI standard - 90 CRI, 95+CRI available
- Motion sensor options available
- Lumen packages are available from 1,750L to 23,000L
- Wire guard
- Available in 3000K, 3500K, 4000K, 5000K, and 6500K
- Bluetooth and wireless mesh networks controls
- Modular Wiring

NOTES

↓ ↓ ↓ NOMENCLATURE

Fixture Type	Fixture Size	Lumen Output	CRI	Color Temp	Driver Voltage	Options
BLLB	-	-	L -	-	-	-

2'	1.75	8 - 80 CRI	30 - 3000 K	UNV - 120-277V
	2.25	9 - 90 CRI	35 - 3500 K	347 - 347V
	2.75		40 - 4000 K	480 - 480V
	4.5		50 - 5000 K	
	5.5		65 - 6500 K	
4'	6.5			
	7.5			
	8.5			
	9.5			
	10.5			
8'	11.5			
	9			
	11			
	13			
	15			
	17			
	19			
	21			
23.0				

Lenses

- L0 - No Lens
- L55 - Clear Acrylic Lens
- L67 - Optix Lens

Cords

- W3xx - 16/3 White Cord
- W4xx - 16/3 Black Cord
- W** - Other Options Available

XX	Cord Length
06	6 Ft
10	10 Ft
15	15 Ft
20	20 Ft

Example: W306 - 6 foot white cord

Mounting

- M1 - V-Hangers
- M2xx - V-Hangers & Aircraft Cables
- M3xx - Y-Toggle Aircraft Cables
- M24 - Single Pendant Mount
- M25 - Surface Mount Brackets
- M** - Other Options Available

XX	Aircraft Length
05	5 Ft
10	10 Ft
15	15 Ft
20	20 Ft

Example: M310 - 10 foot aircraft cables

Wire Guard

- G1 - White Wire Guard

Motion Sensor

- W26 - Photocell Motion Sensor
- W53xxx - On/Off Motion Sensor
- W57 - Dimming Motion Sensor (Dims to 50% and stays at 50% output when unoccupied)
- W** - Other Options Available

Controls

- B11 - 0-10V Dimming Leads
- B17 - Battery Back Up
- B** - Other Options Available
- WC** - Wireless Controls

Colours

- Blank - White Low-Gloss, Matte Finish
- C5 - Black Low-Gloss, Matte Finish
- C** - Other Options Available

Row Mounting

- M54 - Row Mount Body
- W27-XYZ - Daisy-Chain with Wago Wire Connectors
- W22-XY - Molex Row Mounting Wiring

Packaging

- P0 - Bulk Packaging
- P** - Other Options Available

** - Consult BJ Take for more fixture options

xx - Specify Length

1 - Custom cord lengths are available

2 - Consult BJ Take for 3' and 6' lumen outputs

W27-XY Chart	
X Style	X Style
S - Side	3 - 3 Pole
E - End	4 - 4 Pole
T - Top	5 - 5 Pole
	6 - 6 Pole

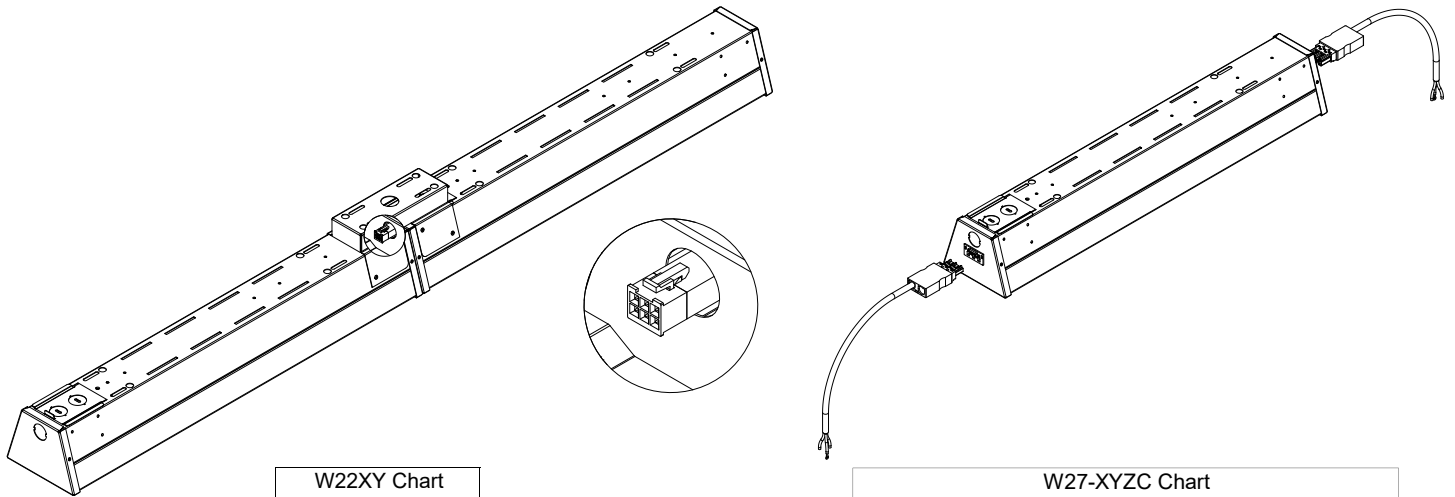
W22-XY Chart	
X Style	X Style
E - End	3 - 3 Pole
	4 - 4 Pole
	5 - 5 Pole
	6 - 6 Pole

SPECIFICATIONS

BLLB Efficiency Wattage Chart																						
Size	Lumen Output	Actual Lumen Output	Fixture Wattage	Lumens per Watt	Size	Lumen Output	Actual Lumen Output	Fixture Wattage	Lumens per Watt	Size	Lumen Output	Actual Lumen Output	Fixture Wattage	Lumens per Watt	Size	Lumen Output	Actual Lumen Output	Fixture Wattage	Lumens per Watt			
2'	1.75	1758	13.0	135.4	4'	4.5	4521	33.4	135.4	6'	6.75	6749.5	49.8	135.5	8'	9	8978	66.2	135.6			
	2.25	2755	20.6	134.0		5.5	5509	41.1	134.0		8.25	8224	61.3	134.1		11	10939	81.5	134.2			
	2.75	3238	24.4	132.6		6.5	6475	48.8	132.6		9.75	9666	72.8	132.7		13	12857	96.9	132.7			
3'	3.0	3000	22.1	135.5	4'	7.5	7419	56.5	131.2	6'	11.25	11075	84.4	131.3	8'	15	14731	112.2	131.3			
	4.0	3987	29.7	134.1		8.5	8342	64.3	129.8		12.75	12453	95.9	129.9		17	16564	127.5	129.9			
	4.5	4461	33.6	132.7		9.5	9242	72.0	128.4		14.25	13798	107.4	128.5		19	18353	142.8	128.5			
	5.0	4922	37.5	131.3		10.5	10121	79.7	127.0		15.75	15108	118.9	127.1		21	20095	158.1	127.1			
	5.5	4372	41.4	129.9		11.5	10984	87.5	125.6		17.25	16397	130.5	125.7		23	21809	173.5	125.7			
	6.0	5809	45.2	128.5																		
	6.5	6235	49.1	127.1																		
	7.5	6654	52.9	125.7																		

Based on 80 CRI
 Based on 4000K
 Based on UNV Voltage

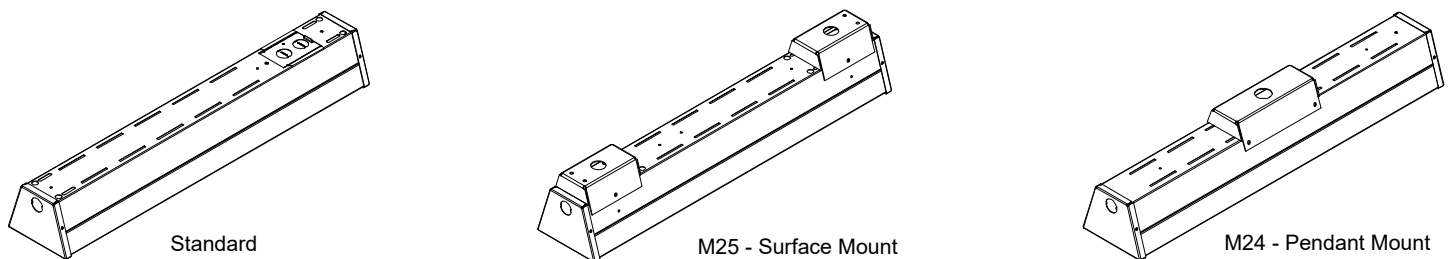
ROW MOUNT WIRING



W22XY Chart	
X - Style	Y - Poles
E - End	3 - 3 Pole
	4 - 4 Pole
	5 - 5 Pole
	6 - 6 Pole

W27-XYZC Chart			
X - Style	X - Poles	Z - Wiring	C - Colour
S - Side	3 - 3 Pole	Blank - Standard	Blank - White
E - End	4 - 4 Pole	E - End of Row	B - Black
T - Top	5 - 5 Pole		G - Grey
	6 - 6 Pole		

MOUNTING



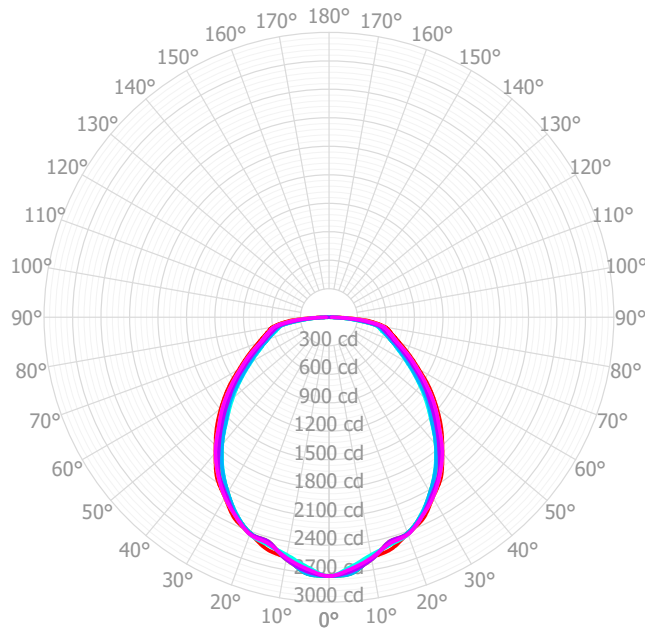
Standard

M25 - Surface Mount

M24 - Pendant Mount

PHOTOMETRICS

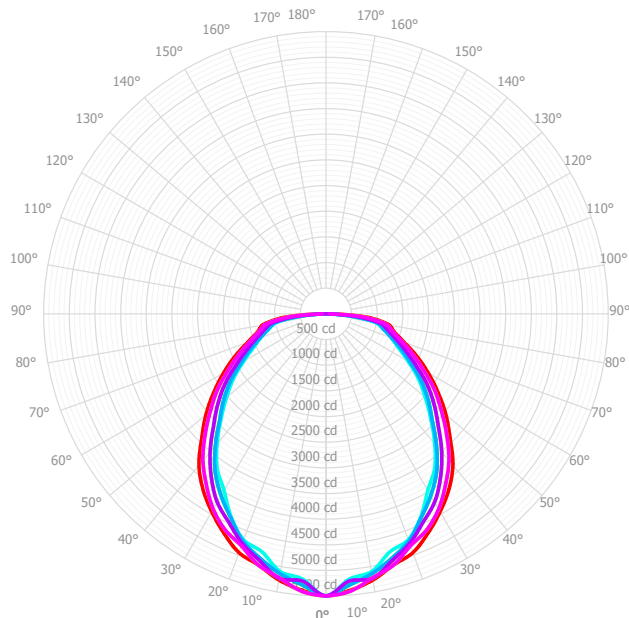
BLLB-4'-7.5L-840-L67



0°-180°	—
22.5°-202.5°	—
45°-225°	—
67.5°-247.5°	—
90°-270°	—
112.5°-292.5°	—
135°-315°	—
157.5°-337.5°	—

Mtg Height	Light Level	Beam Diameter
6.0 ft	75.7 fc	16.0 ft
8.0 ft	42.6 fc	21.3 ft
10.0 ft	27.3 fc	26.6 ft
12.0 ft	18.9 fc	32.0 ft
14.0 ft	13.9 fc	37.3 ft
16.0 ft	10.6 fc	42.6 ft

BLLB-8'-15L-840-L67



0°-180°	—
22.5°-202.5°	—
45°-225°	—
67.5°-247.5°	—
90°-270°	—
112.5°-292.5°	—
135°-315°	—
157.5°-337.5°	—

Mtg Height	Light Level	Beam Diameter
6.0 ft	152.6 fc	16.5 ft
8.0 ft	85.8 fc	22.0 ft
10.0 ft	54.9 fc	27.5 ft
12.0 ft	38.1 fc	33.0 ft
14.0 ft	28.0 fc	38.5 ft
16.0 ft	21.5 fc	44.0 ft

DIMENSIONS

